

KDCR 16 K 08S PSLK Capacitive Proximity Switch

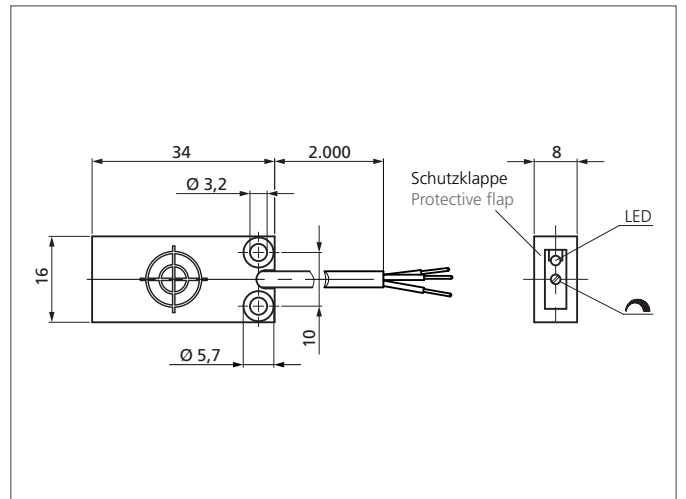
- Detection of electrically conductive and non-conductive materials
- Detection of liquids, powdery and solid materials
- Detection possible even through containers and packages
- With mounting frame for universal fastening to hoses
- Adjustable sensitivity/self-compensating
- Cable, highly flexible
- Integrated amplifier
- Short-circuit protection
- Starting pulse suppression
- LED



Safety instructions

The Instruments are not to be used for safety applications, in particular applications in which safety of persons depends on proper operation of the instruments.

These instruments shall exclusively be used by qualified personnel.



TECHNICAL INFORMATION (typ.)	+20°C, 24V DC
Operating principle	Capacitive
Evaluation	digital
Size	34 x 16 x 8 mm (Dimensions)
Design	cuboid design
Mounting	non-flush
Operating distance	8 mm adjustable, self-compensating
Standardized measuring plate	24 x 24 x 1 mm
Service voltage	12 ... 30 V DC
Internal power consumption	< 10 mA
Sensitivity adjustment	Potentiometer + self-compensating
Switching output	pnp, 50 mA, NO
Voltage drop	< 1,5 V
Switching frequency	2 Hz
Ambient temperature	-30 ... +70 °C
Insulation voltage endurance	500 V
Protection class	IP 67
Casing material	plastics (polypropylene - PP)
Connection	cable PUR, 2 m
Scope of delivery	mini-screwdriver, mounting frame, cover plate