

# KDC 50 K 25S PSOLK

## Capacitive Proximity Switch

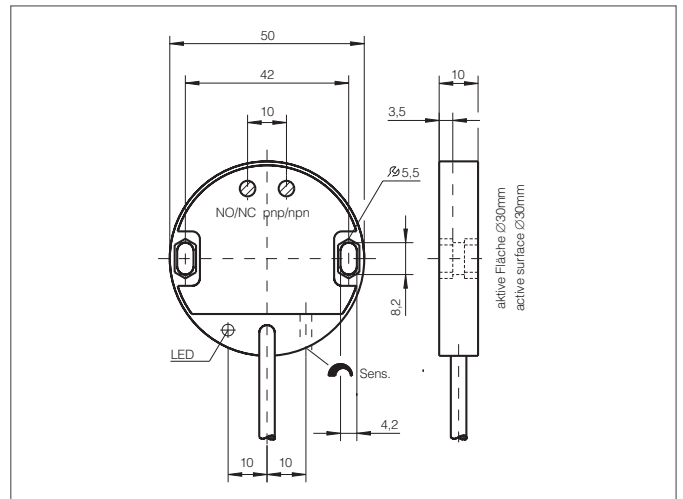
- Detection of electrically conductive and non-conductive materials
- Detection of liquids, powdery and solid materials
- Detection possible even through containers and packages
- Adjustable sensitivity/self-compensating
- Cable, highly flexible
- Integrated amplifier
- Short-circuit protection
- Starting pulse suppression
- LED



### Safety instructions

The Instruments are not to be used for safety applications, in particular applications in which safety of persons depends on proper operation of the instruments.

These instruments shall exclusively be used by qualified personnel.



TECHNICAL INFORMATION (typ.)	+20°C, 24V DC
Operating principle	Capacitive
Evaluation	digital
Size	Ø 50 mm (Diameter)
Design	cylinder
Mounting	non-flush
Operating distance	25 mm adjustable, self-compensating
Standardized measuring plate	75 x 75 x 1 mm
Service voltage	10 ... 35 V DC
Internal power consumption	< 20 mA
Sensitivity adjustment	Potentiometer + self-compensating
Switching output	pnp, 300 mA, NO/NC, switchable
Voltage drop	< 1,8 V
Switching frequency	2 Hz
Ambient temperature	-10 ... +60 °C
Insulation voltage endurance	500 V
Protection class	IP 67
Casing material	plastics
Connection	cable PVC, 2 m