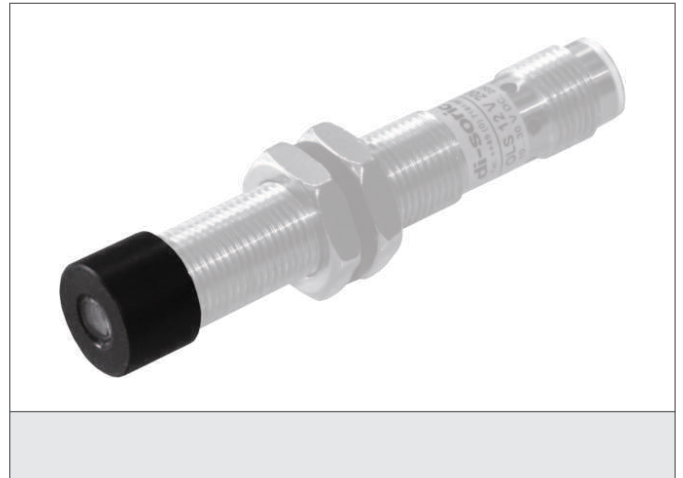
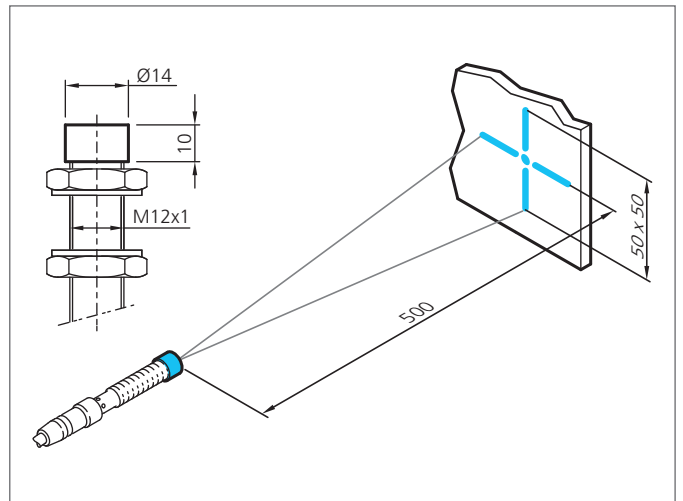


LK 50/500
Laser-cross optics



Safety instructions

Inproper use may result in hazardous radiation exposure. Pay attention to accident prevention rules and laser class. The instruments are not to be used for safety applications, in particular applications in which safety of persons depends on proper operation of the instruments. These instruments shall exclusively be used by qualified personnel.



TECHNICAL INFORMATION (typ.)	
Size	+20°C, 24V DC M12 x 1 (thread)
For	Laser through beam sensors transmitter OLS 12 ...