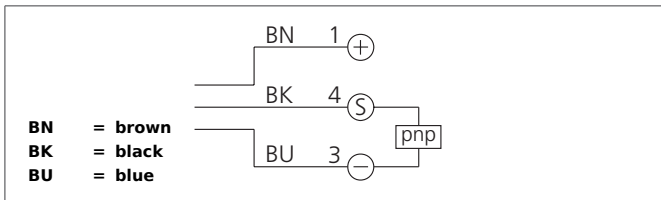
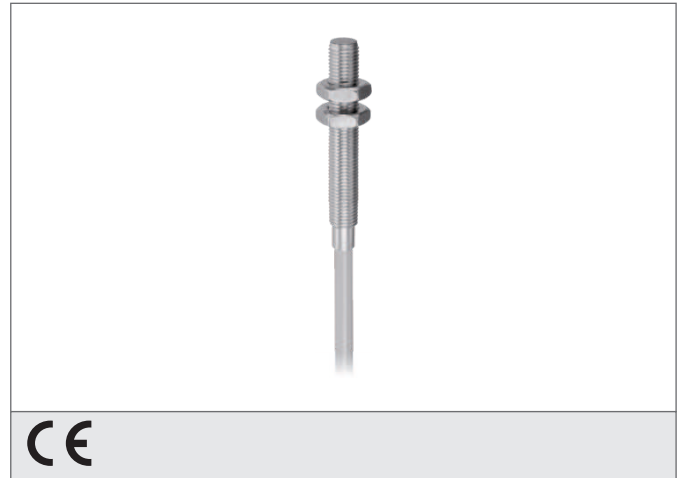


# DCC 08 VH 02 PSK/140

## Inductive Proximity Switch

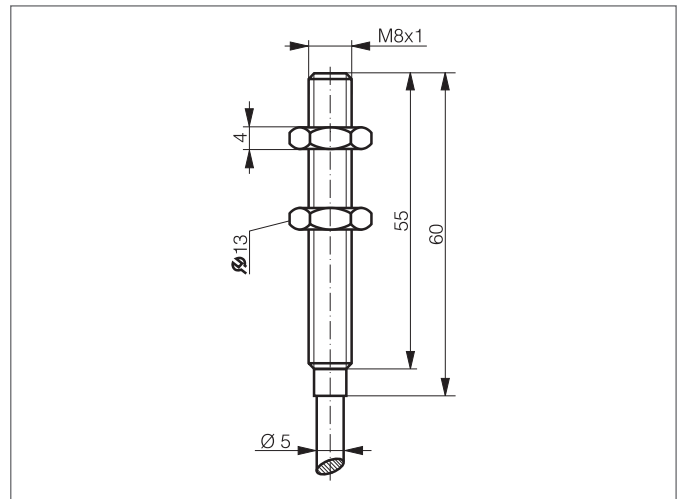
- High-temperature resistant up to 140 °C permanent temperature
- Stainless steel casing
- Active zone LCP
- Cable material silicone
- Integrated amplifier
- Short-circuit protection
- Starting pulse suppression



### Safety instructions

The Instruments are not to be used for safety applications, in particular applications in which safety of persons depends on proper operation of the instruments.

These instruments shall exclusively be used by qualified personnel.



TECHNICAL INFORMATION (typ.)	+20°C, 24V DC
Operating principle	Inductive
Evaluation	digital
Size	M8 x 1 (thread)
Design	screw
Mounting	flush
Characteristics	up to 140 °C, high-temperature resistant
Operating distance	2 mm
Standardized measuring plate	8 x 8 x 1 mm
Service voltage	10 ... 30 V DC
Internal power consumption	< 10 mA
Switching output	pnp, 120 mA, NO
Switching hysteresis	3 ... 15 %
Voltage drop	< 2,0 V
Switching frequency	600 Hz
Ambient temperature	0 ... +140 °C
Insulation voltage endurance	500 V
Protection class	IP 65
Casing material	stainless steel LCP
Connection	Cable silicone, 2 m