

DCC 30 VH 10 PSK/230/V

Inductive Proximity Switch

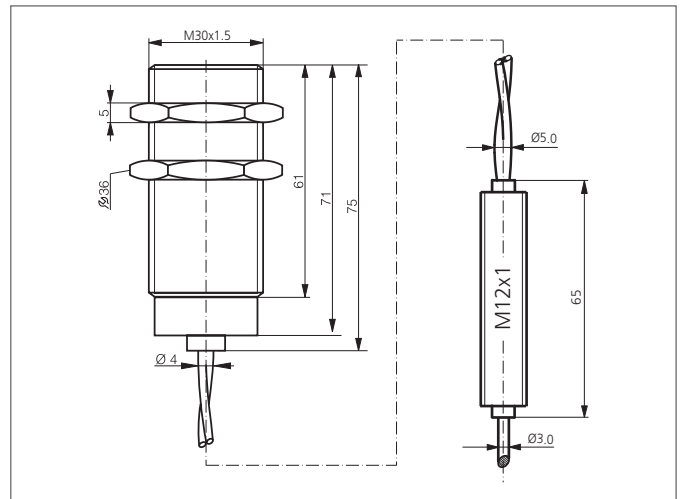
- High-temperature resistant up to 230 °C permanent temperature
- Stainless steel casing
- Active zone LCP
- Cable material PTFE
- External amplifier
- Short-circuit protection
- Starting pulse suppression



Safety instructions

The Instruments are not to be used for safety applications, in particular applications in which safety of persons depends on proper operation of the instruments.

These instruments shall exclusively be used by qualified personnel.



TECHNICAL INFORMATION (typ.)	+20°C, 24V DC
Operating principle	Inductive
Evaluation	digital
Size	M30 x 1,5 (thread)
Design	screw
Mounting	flush
Characteristics	up to 230 °C, high-temperature resistant
Operating distance	10 mm
Standardized measuring plate	30 x 30 x 1 mm
Service voltage	10 ... 30 V DC
Internal power consumption	< 5 mA
Switching output	pnp, 200 mA, NO
Switching hysteresis	3 ... 15 %
Voltage drop	< 2,0 V
Switching frequency	200 Hz
Ambient temperature	0 ... +230 °C sensor
Insulation voltage endurance	500 V
Protection class	IP 65
Casing material	stainless steel LCP
Material	VA (amplifier)
Connection	cable PTFE, cable PUR, 2 m, 3 m housing, for amplifier(s)