

DCC 30 VH 15 PSK/180 Inductive Proximity Switch

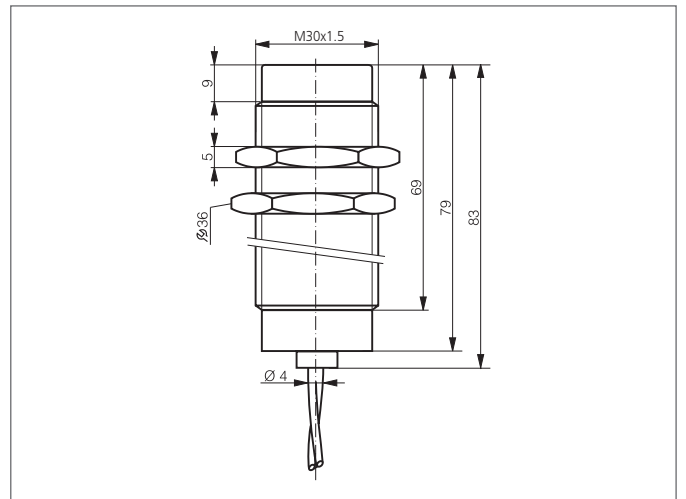
- High-temperature resistant up to 180 °C permanent temperature
- Stainless steel casing
- Active zone LCP
- Cable material PTFE
- Integrated amplifier
- Short-circuit protection
- Starting pulse suppression



Safety instructions

The Instruments are not to be used for safety applications, in particular applications in which safety of persons depends on proper operation of the instruments.

These instruments shall exclusively be used by qualified personnel.



| TECHNICAL INFORMATION (typ.) | | +20°C, 24V DC |
|------------------------------|--|--|
| Operating principle | | Inductive |
| Evaluation | | digital |
| Size | | M30 x 1,5 (thread) |
| Design | | screw |
| Mounting | | non-flush |
| Characteristics | | up to 180 °C, high-temperature resistant |
| Operating distance | | 15 mm |
| Standardized measuring plate | | 45 x 45 x 1 mm |
| Service voltage | | 10 ... 30 V DC |
| Internal power consumption | | < 10 mA |
| Switching output | | pnp, 150 mA, NO |
| Switching hysteresis | | 3 ... 15 % |
| Voltage drop | | < 2,0 V |
| Switching frequency | | 200 Hz |
| Ambient temperature | | 0 ... +180 °C |
| Insulation voltage endurance | | 500 V |
| Protection class | | IP 65 |
| Casing material | | stainless steel LCP |
| Connection | | cable PTFE, 2 m |
| | | |
| | | |