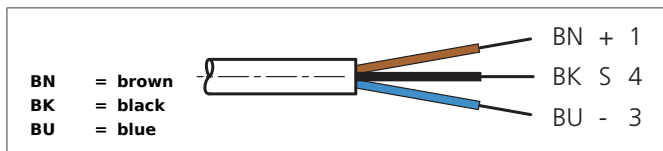


TKP-W-5 Connecting Cable

- Cable material made of PVC for applications in wet environment or under water
- Flexible lead design
- Good stripping properties
- Gold-plated plug-in contacts
- High protection class

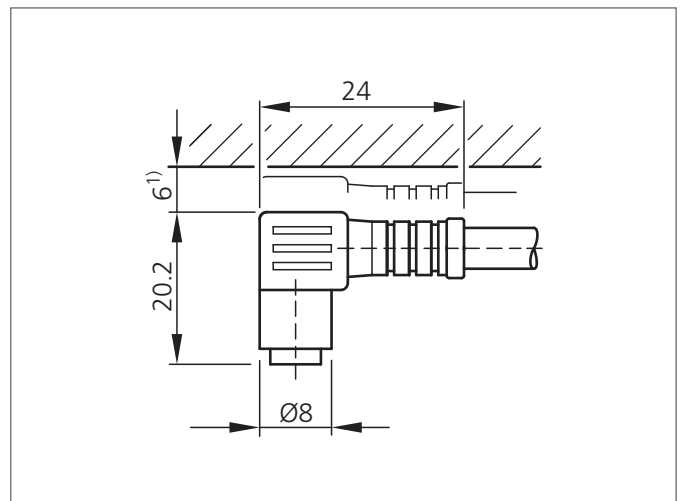


CE



Safety instructions

The Instruments are not to be used for safety applications, in particular applications in which safety of persons depends on proper operation of the instruments.
These instruments shall exclusively be used by qualified personnel.



TECHNICAL INFORMATION (typ.)		+20°C, 24V DC
Size		Click-stop device for screw M8 (thread)
Design		angled
Length		5.000 mm
Service voltage		< 60 V AC/DC
LED indicator		no
Ambient temperature		-30 ... +80 °C (fixed)
Protection class		IP 67
Material		PVC (Cable) PVC (connector)
Connection		M8, 3-poled
Drag chain properties		2 Mio. (Bending cycles) 70 mm (Minimum bending radius)