

OGUFIX 051 P3K-TSSL

Fork Light Barrier

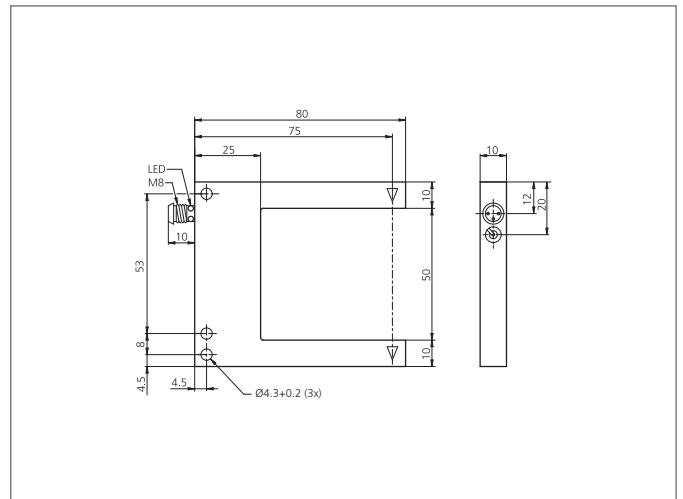
- Quick commissioning, no setting elements
- No risk of wrong adjustments
- Value for money
- Mountable side by side
- Light/dark switching
- Metal casing
- High protection class
- 5-year warranty



Safety instructions

The Instruments are not to be used for safety applications, in particular applications in which safety of persons depends on proper operation of the instruments.

These instruments shall exclusively be used by qualified personnel.



| TECHNICAL INFORMATION (typ.) | +20°C, 24V DC |
|------------------------------|--|
| Operating principle | Optical |
| Evaluation | digital |
| Size | 70 x 80 x 10 mm (Dimensions) |
| Design | fork |
| Fork opening | 50 mm |
| Branch length | 55 mm |
| Emitted light | Red, clocked |
| Service voltage | 10 ... 35 V DC (Supply Class 2) |
| Internal power consumption | < 30 mA |
| Resolution | Ø 1,0 mm |
| Sensitivity adjustment | no setting elements |
| Switching output | pnp, 200 mA, NO/NC, switchable |
| Switching hysteresis | < 0,25 mm |
| Voltage drop | 2,8 V |
| Switching frequency | 2.500 Hz |
| Reproducibility | 0,04 mm |
| Ambient temperature | -10 ... +60 °C |
| Ambient light immunity | 40 kLx |
| Insulation voltage endurance | 500 V |
| Protection class | IP 67 |
| Protection degree | III, operation on protective low voltage |
| Casing material | Die-cast zinc black lacquered finish |
| Connection | Connector, M8, 3-poled |

OGUFIX 051 P3K-TSSL
Fork Light Barrier



TECHNICAL INFORMATION (typ.)

+20°C, 24V DC

Connecting cable

TK ...