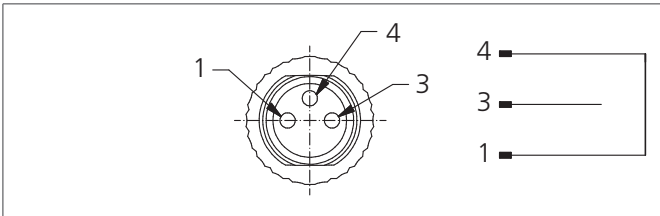
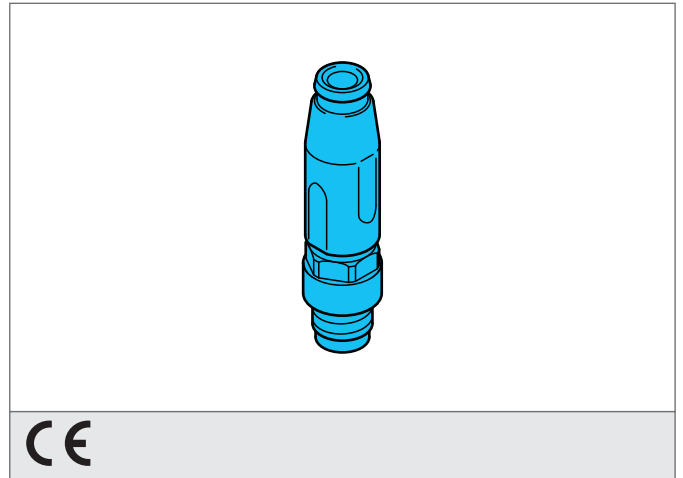


BS-Z-8-UND

Shorting Plug

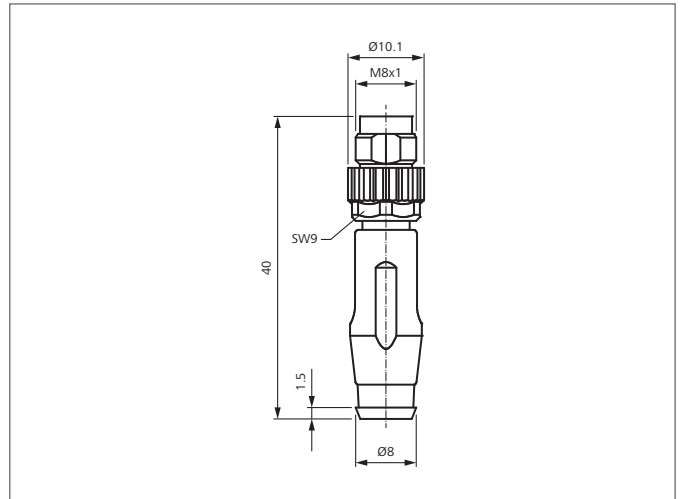
- High protection class IP 67
- Compact design
- Metal screw
- Plastic housing



Safety instructions

The Instruments are not to be used for safety applications, in particular applications in which safety of persons depends on proper operation of the instruments.

These instruments shall exclusively be used by qualified personnel.



TECHNICAL INFORMATION (typ.)		+20°C, 24V DC
Characteristics		metal coupling ring
Maximum rating		3 A, at 40°
Service voltage		60 V DC
Ambient temperature		-30 ... +80 °C
Protection class		IP 67, (at tightening torque 0,4 Nm)
For		Logic distributor AV4-UND/ODER
Casing material		plastics, metal
Connection		Connector, M8