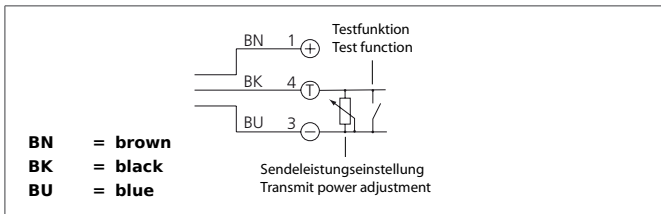
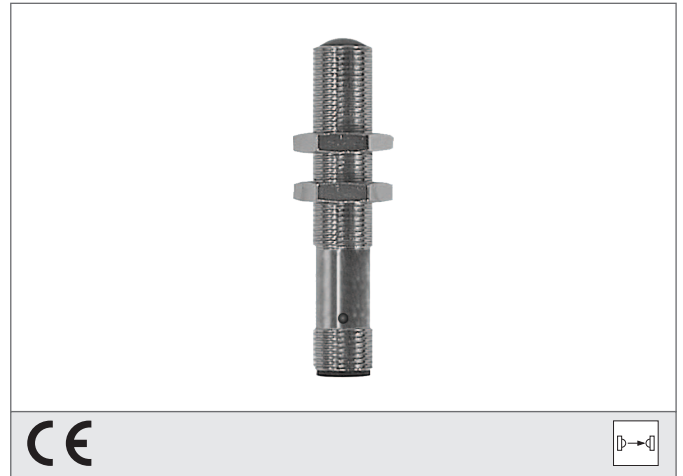


## OSP 12 VLF-IBSL

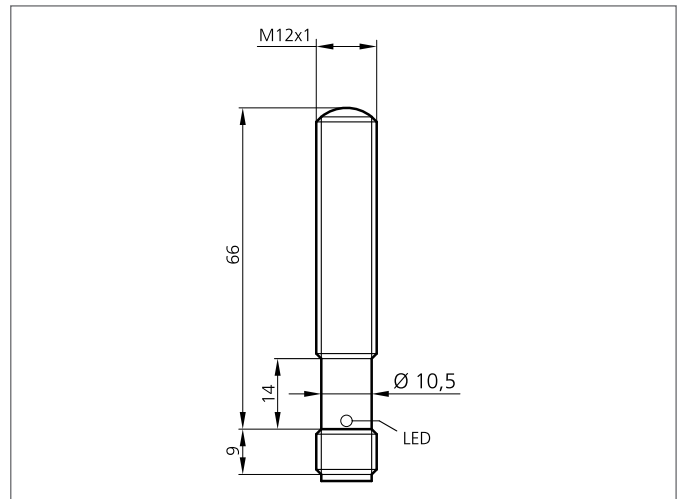
### High Performance Photoelectric Sensor, Transmitter

- Operating distances up to 20 m
- Transmit power with external resistance adjustable
- High functional reserve
- Extremely dirt-resistant
- Easy adjustment
- Different designs to be combined
- High protection class
- Compact design



#### Safety instructions

The Instruments are not to be used for safety applications, in particular applications in which safety of persons depends on proper operation of the instruments.  
 These instruments shall exclusively be used by qualified personnel.



| TECHNICAL INFORMATION (typ.) | +20°C, 24V DC                            |
|------------------------------|--|
| Operating principle          | Through beam sensors, transmitter        |
| Evaluation                   | digital                                  |
| Size                         | M12 x 1 (thread)                         |
| Design                       | screw                                    |
| Characteristics              | High transmit power and dirt penetration |
| Emitted light                | Infrared, 870 nm, clocked                |
| Emission angle               | 15°                                      |
| Opening angle                | 15°                                      |
| Service voltage              | 10 ... 35 V DC                           |
| Internal power consumption   | < 55 mA                                  |
| Operating distance           | 0 ... 20 m dependent on the receiver     |
| Sensitivity adjustment       | no setting elements                      |
| Shock-/vibration load        | 10 ... 55 Hz / 2,0 mm / 30 g             |
| Ambient temperature          | -20 ... +60 °C                           |
| Protection class             | IP 67, IP 68, IP 69K                     |
| Protection degree            | III, operation on protective low voltage |
| Casing material              | stainless steel V2A (1.4301 / AISI 304)  |
| Connection                   | Connector, M12, 3-poled                  |