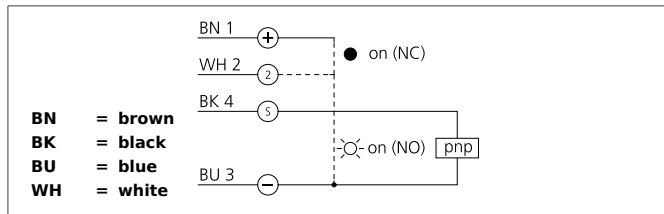


OT 6-18 KR 400 P3K-BSL

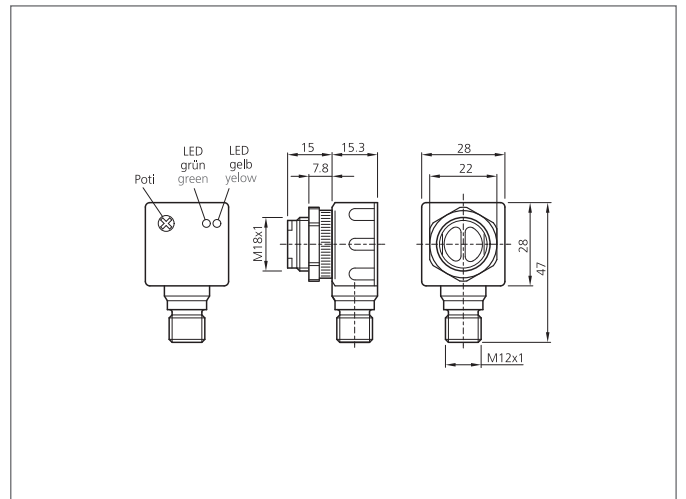
Diffuse Sensor

- Plastic housing
- Connector M12
- Infrared light
- Sensitivity adjustable
- LED indicator for output state



Safety instructions

The Instruments are not to be used for safety applications, in particular applications in which safety of persons depends on proper operation of the instruments.
These instruments shall exclusively be used by qualified personnel.



TECHNICAL INFORMATION (typ.)	+20°C, 24V DC
Operating principle	Diffuse reflective sensor
Evaluation	digital
Design	cuboid design
Emitted light	Infrared, 880 nm, clocked
Standardized measuring plate	200 x 200 mm, white
Service voltage	10 ... 30 V DC
Internal power consumption	< 30 mA
background suppression	no
Operating distance	400 mm
Sensitivity adjustment	potentiometer
Switching output	pnp, 100 mA, NO/NC
Switching frequency	333 Hz
Response-/release time	1,5 ms / 1,5 ms
Ambient temperature	-25 ... +50 °C
Ambient light immunity	3 kLx, clocked light, > 10 kLx, Sunlight
Protection class	IP 66
Protection degree	III, operation on protective low voltage
Casing material	ABS
Material	polymethyl methacrylate (Window)
Connection	Connector, M12, 4-poled