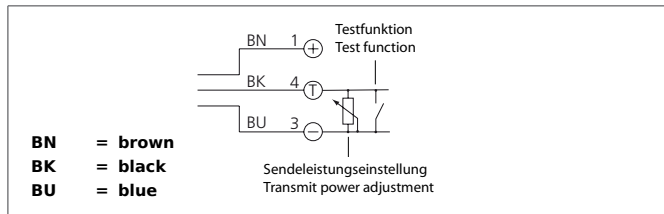
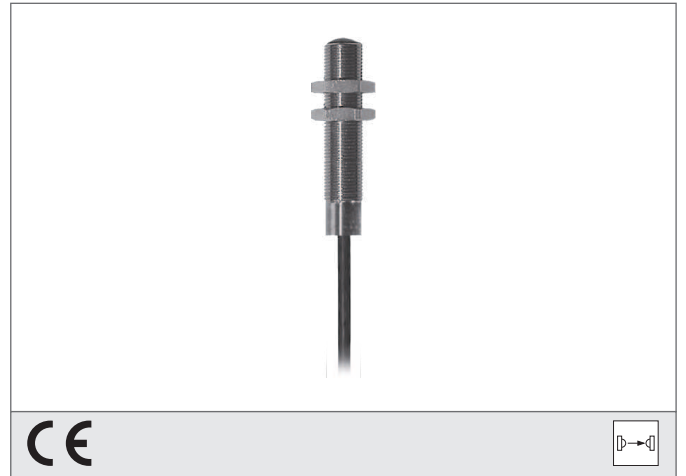


OSP 12 VLFL-5M

High Performance Photoelectric Sensor, Transmitter

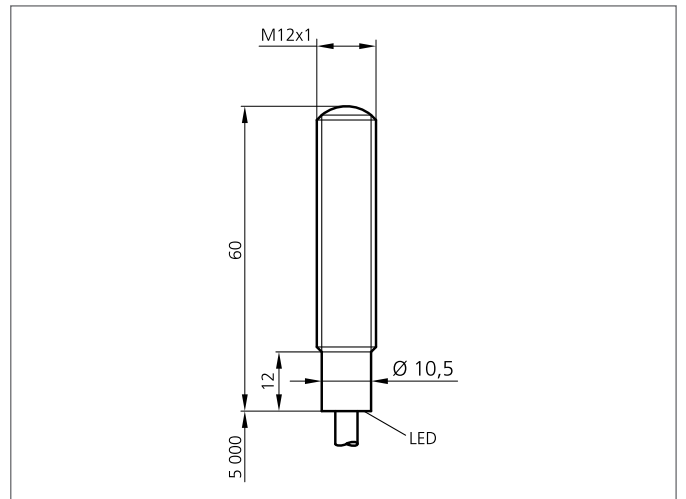
- Operating distances up to 20 m
- Transmit power with external resistance adjustable
- High functional reserve
- Extremely dirt-resistant
- Easy adjustment
- Different designs to be combined
- High protection class
- Compact design



Safety instructions

The Instruments are not to be used for safety applications, in particular applications in which safety of persons depends on proper operation of the instruments.

These instruments shall exclusively be used by qualified personnel.



TECHNICAL INFORMATION (typ.)	+20°C, 24V DC
Operating principle	Through beam sensors, transmitter
Evaluation	digital
Size	M12 x 1 (thread)
Design	screw
Characteristics	High transmit power and dirt penetration
Emitted light	Infrared, 870 nm, clocked
Emission angle	15°
Opening angle	15°
Service voltage	10 ... 35 V DC
Internal power consumption	< 55 mA
Operating distance	0 ... 20 m dependent on the receiver
Sensitivity adjustment	no setting elements
Shock-/vibration load	10 ... 55 Hz / 2,0 mm / 30 g
Ambient temperature	-20 ... +60 °C
Protection class	IP 67, IP 68, IP 69K
Protection degree	III, operation on protective low voltage
Casing material	stainless steel V2A (1.4301 / AISI 304)
Connection	cable PVC, 5 m