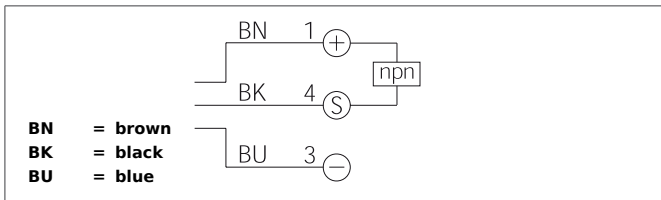
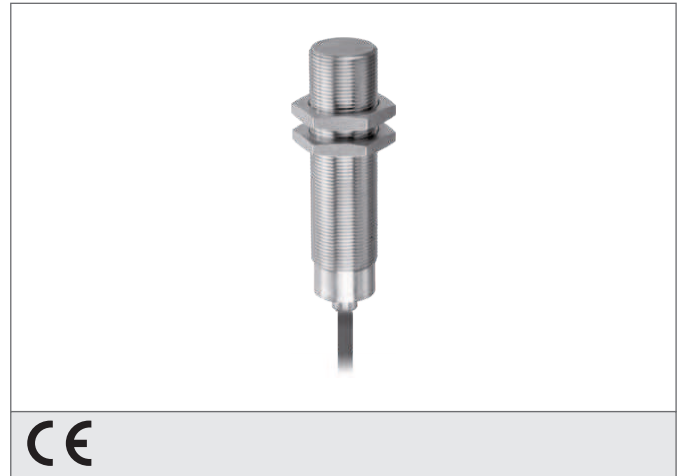


DCC 18 VH 05 NSK/230/V

Inductive Proximity Switch

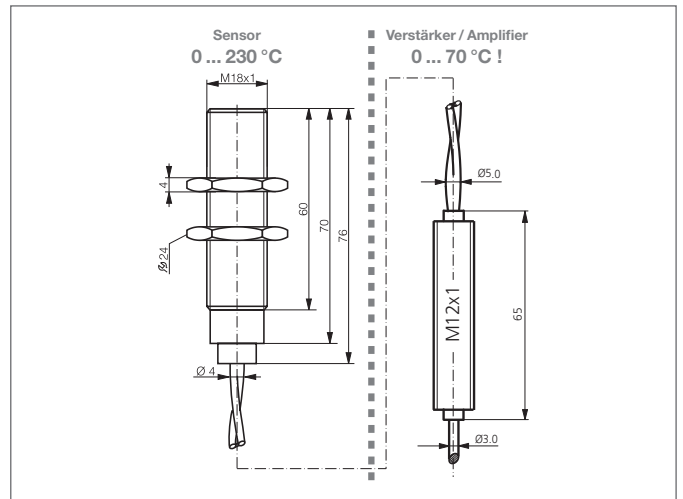


- High-temperature resistant up to 230 °C permanent temperature
- Stainless steel casing
- Active zone LCP
- Cable material PTFE
- External amplifier
- Short-circuit protection
- Starting pulse suppression



Safety instructions

The Instruments are not to be used for safety applications, in particular applications in which safety of persons depends on proper operation of the instruments.
 These instruments shall exclusively be used by qualified personnel.



TECHNICAL INFORMATION (typ.)	+20°C, 24V DC
Operating principle	Inductive
Evaluation	digital
Size	M18 x 1 (thread)
Design	screw
Mounting	flush
Characteristics	up to 230 °C, high-temperature resistant
Operating distance	5 mm
Standardized measuring plate	18 x 18 x 1 mm
Service voltage	10 ... 30 V DC
Internal power consumption	< 5 mA
Switching output	npn, 200 mA, NO
Switching hysteresis	3 ... 15 %
Voltage drop	< 2,0 V
Switching frequency	300 Hz
Ambient temperature	see DRAWING
Insulation voltage endurance	500 V
Protection class	IP 65
Casing material	stainless steel LCP
Connection	cable PTFE, 3 m housing, for amplifier(s), Cable PUR 2.000 mm