

OTV 12 M 300 N2K-IBSL

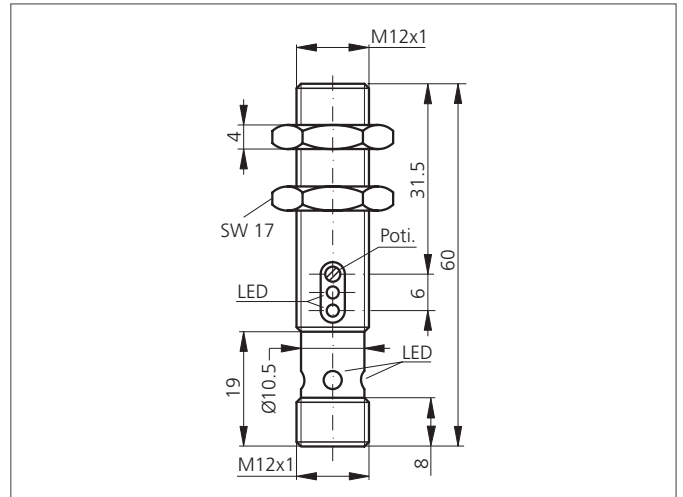
Diffuse Sensor

- Small design
- Red light
- High resolution, switching accuracy, switching frequency
- Sensitivity adjustable
- LED indication of output state and functional reserve



Safety instructions

The Instruments are not to be used for safety applications, in particular applications in which safety of persons depends on proper operation of the instruments.
These instruments shall exclusively be used by qualified personnel.



TECHNICAL INFORMATION (typ.)	+20°C, 24V DC
Operating principle	Diffuse reflective sensor
Evaluation	digital
Size	M12 x 1 (thread)
Design	screw
Emitted light	Red, 660 nm, clocked
Standardized measuring plate	200 x 200 mm, white
Service voltage	10 ... 36 V DC
Internal power consumption	< 20 mA
background suppression	no
Operating distance	70 ... 300 mm
Sensitivity adjustment	potentiometer
Switching output	npn, 200 mA, NC
Switching hysteresis	< 10 %
Voltage drop	< 2,0 V
Switching frequency	1.000 Hz
Response-/release time	< 0,5 ms / < 0,5 ms
Ambient temperature	-25 ... +55 °C
Temperature drift	0,3 %/K
Ambient light immunity	10 kLx
Insulation voltage endurance	1.000 V
Protection class	IP 67
Protection degree	III, operation on protective low voltage
Casing material	brass nickel plated

OTV 12 M 300 N2K-IBSL

Diffuse Sensor



TECHNICAL INFORMATION (typ.)	+20°C, 24V DC
Material	glass (Window)
Connection	Connector, M12, 4-poled