

OGUFIX 121/125 P3K-TSSL-180L

Fork Light Barrier

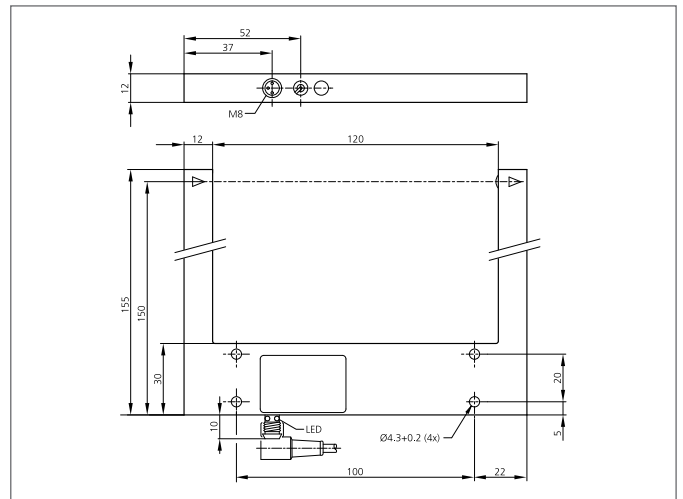
- Dirt-resistant lens optics
- Quick commissioning, no setting elements
- Value for money
- Mountable side by side
- Light/dark switching
- Metal casing
- High protection class
- 5-year warranty



Safety instructions

The Instruments are not to be used for safety applications, in particular applications in which safety of persons depends on proper operation of the instruments.

These instruments shall exclusively be used by qualified personnel.



TECHNICAL INFORMATION (typ.)	+20°C, 24V DC
Operating principle	Optical
Evaluation	digital
Size	144 x 155 x 12 mm (Dimensions)
Design	fork
Fork opening	120 mm
Branch length	125 mm
Emitted light	Red, clocked
Service voltage	10 ... 35 V DC
Internal power consumption	< 40 mA
Resolution	Ø 3 mm
Sensitivity adjustment	no setting elements
Switching output	pnp, 200 mA, NO/NC, switchable
Voltage drop	2,8 V
Switching frequency	2.000 Hz
Ambient temperature	-10 ... +60 °C
Ambient light immunity	40 kLx
Insulation voltage endurance	500 V
Protection class	IP 67
Protection degree	III, operation on protective low voltage
Casing material	Aluminium black anodized
Connection	Connector, M8, 3-poled
Connecting cable	TK ...