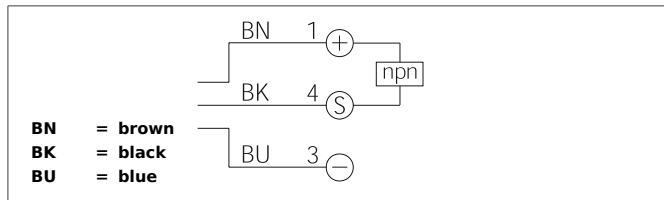


LTV 51 M 200 N3K-IBS

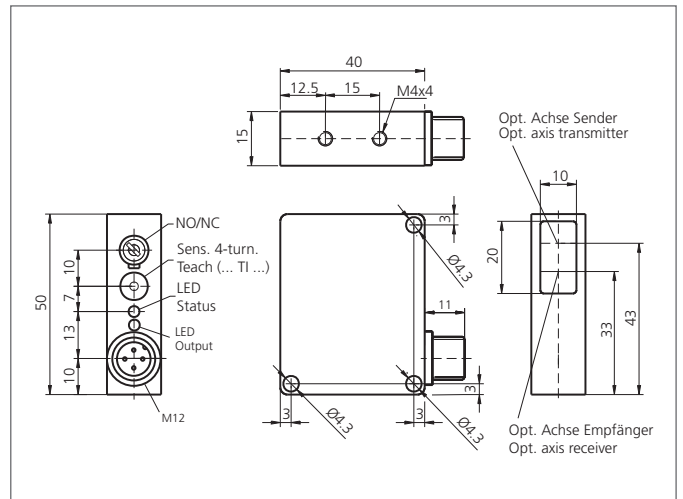
Laser Diffuse Sensor

- Red light laser, with small laser spot
- 4-turn potentiometer
- Functional reserve indicator/contamination indicator
- Bright LED
- Light/dark switching



Safety instructions

Inproper use may result in hazardous radiation exposure. Pay attention to accident prevention rules and laser class. The instruments are not to be used for safety applications, in particular applications in which safety of persons depends on proper operation of the instruments. These instruments shall exclusively be used by qualified personnel.



TECHNICAL INFORMATION (typ.)	+20°C, 24V DC
Operating principle	Diffuse reflective sensor
Evaluation	digital
Size	50 x 40 x 15 mm (Dimensions)
Design	cuboid design
Emitted light	Red light laser, 650 nm, clocked
Laser class	1 (IEC 60825-1)
Service voltage	10 ... 35 V DC
Internal power consumption	< 30 mA
background suppression	no
Diameter of light spot	Ø 2 mm
Operating distance	75 ... 200 mm
Sensitivity adjustment	potentiometer
Switching output	npn, 200 mA, NO/NC, switchable
Switching hysteresis	< 12 %
Voltage drop	< 2,0 V
Switching frequency	2.000 Hz
Reproducibility	0,5%
Ambient temperature	0 ... +45 °C
Ambient light immunity	8 kLx
Insulation voltage endurance	500 V
Protection class	IP 67
Protection degree	III, operation on protective low voltage
Casing material	Die-cast zinc black lacquered finish

LTV 51 M 200 N3K-IBS

Laser Diffuse Sensor



TECHNICAL INFORMATION (typ.)		+20°C, 24V DC
Material		polycarbonate (Window)
Connection		Connector, M12, 3-poled
Connecting cable		VK ...