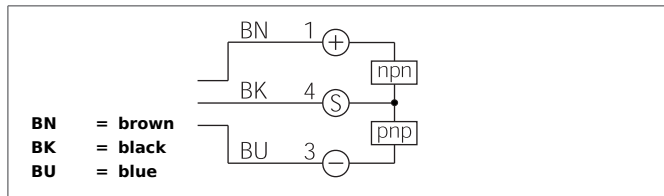


OGUP 120/130 G1K-TSSL

High Performance Fork Light Barrier

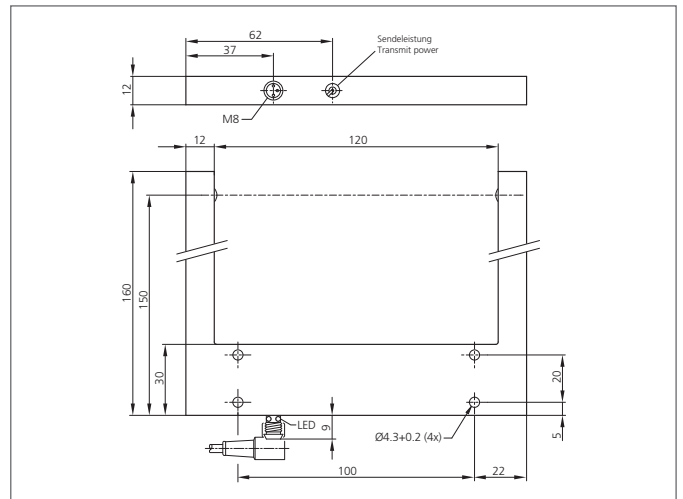
- High functional reserve
- Extremely dirt-resistant
- Penetration of particular materials possible
- Transmit power adjustable
- High protection class
- Robust metal casing
- 5-year warranty



Safety instructions

The Instruments are not to be used for safety applications, in particular applications in which safety of persons depends on proper operation of the instruments.

These instruments shall exclusively be used by qualified personnel.



TECHNICAL INFORMATION (typ.)		+20°C, 24V DC
Operating principle		Optical
Evaluation		digital
Size		144 x 160 x 12 mm (Dimensions)
Design		fork
Fork opening		120 mm
Branch length		130 mm
Characteristics		High transmit power and dirt penetration
Emitted light		Infrared, clocked
Service voltage		10 ... 35 V DC
Internal power consumption		< 50 mA
Resolution		Ø 0,5 mm
Sensitivity adjustment		potentiometer
Switching output		Push pull, 200 mA, NC (pnp) / NO (npn)
Voltage drop		< 2,0 V
Switching frequency		20 Hz
Ambient temperature		-20 ... +60 °C
Ambient light immunity		10 kLx
Insulation voltage endurance		500 V
Protection class		IP 67
Protection degree		III, operation on protective low voltage
Casing material		Aluminium black anodized
Connection		Connector, M8, 3-poled
Connecting cable		TK ...