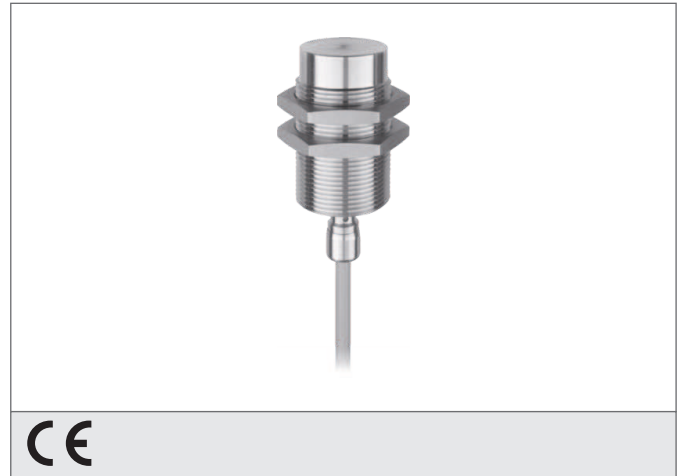


DCC 30 VL 40 NOLK

Inductive Proximity Switch



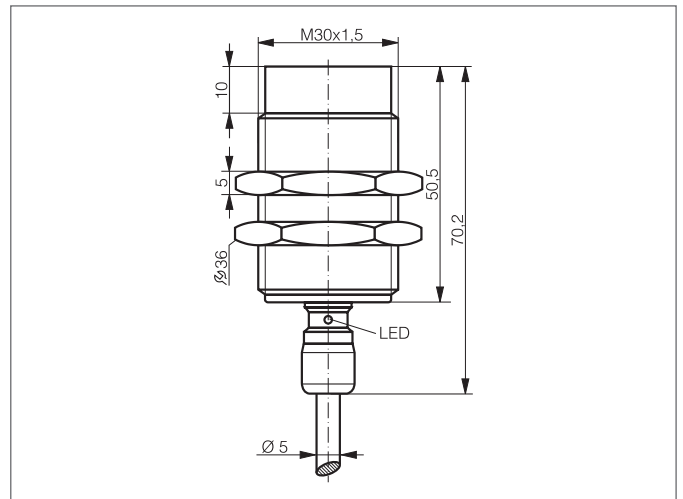
- For food industry
- For seawater applications
- Large sensing range to steel and aluminium
- One-piece stainless steel housing
- Protection class IP 68 and IP 69K
- Connecting cable made of TPE-S
- Integrated amplifier
- Short-circuit protection
- Starting pulse suppression
- LED



Safety instructions

The Instruments are not to be used for safety applications, in particular applications in which safety of persons depends on proper operation of the instruments.

These instruments shall exclusively be used by qualified personnel.



TECHNICAL INFORMATION (typ.)		+20°C, 24V DC
Operating principle		Inductive
Evaluation		digital
Size		M30 x 1,5 (thread)
Design		screw
Mounting		non-flush
Characteristics		extremely high operating distance, up to 40 bar, All stainless steel housing
Operating distance		40 mm
Standardized measuring plate		120 x 120 x 1 mm
Service voltage		10 ... 30 V DC
Internal power consumption		< 10 mA
Switching output		npn, 200 mA, NC
Switching hysteresis		< 15 %
Voltage drop		< 2,0 V
Switching frequency		100 Hz
Ambient temperature		-25 ... +85 °C
Insulation voltage endurance		500 V
Protection class		IP 68, IP 69K
Casing material		stainless steel (1.4435 / AISI 316L)
Connection		Cable TPE-S, 2 m