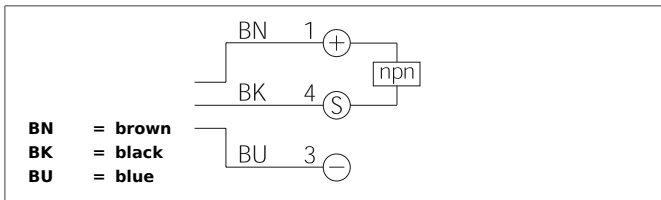


## DCC 30 VH 15 NSK/180 Inductive Proximity Switch

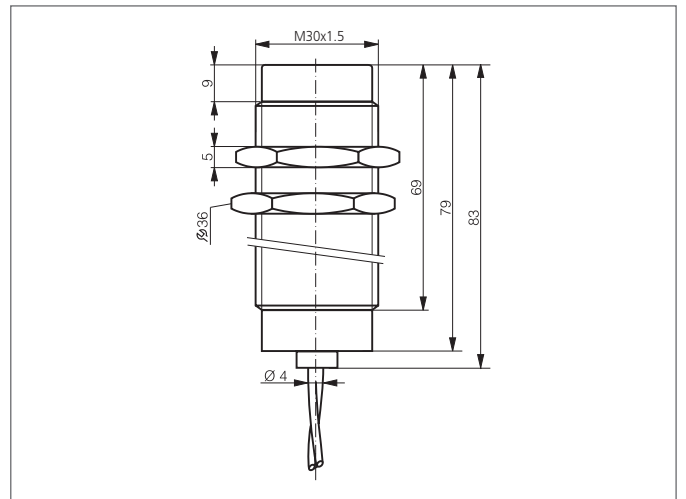
- High-temperature resistant up to 180 °C permanent temperature
- Stainless steel casing
- Active zone LCP
- Cable material PTFE
- Integrated amplifier
- Short-circuit protection
- Starting pulse suppression



### Safety instructions

The Instruments are not to be used for safety applications, in particular applications in which safety of persons depends on proper operation of the instruments.

These instruments shall exclusively be used by qualified personnel.



TECHNICAL INFORMATION (typ.)		+20°C, 24V DC
Operating principle		Inductive
Evaluation		digital
Size		M30 x 1,5 (thread)
Design		screw
Mounting		non-flush
Characteristics		up to 180 °C, high-temperature resistant
Operating distance		15 mm
Standardized measuring plate		45 x 45 x 1 mm
Service voltage		10 ... 30 V DC
Internal power consumption		< 10 mA
Switching output		npn, 150 mA, NO
Switching hysteresis		3 ... 15 %
Voltage drop		< 2,0 V
Switching frequency		200 Hz
Ambient temperature		0 ... +180 °C
Insulation voltage endurance		500 V
Protection class		IP 65
Casing material		stainless steel LCP
Connection		cable PTFE, 2 m