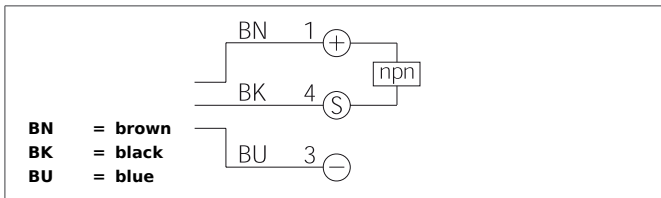


KDCR 16 K 08 NOK-K-TSL Capacitive Proximity Switch

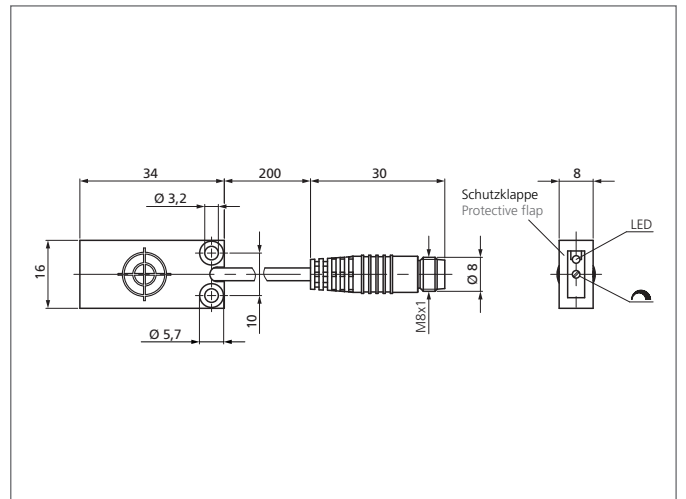
- Detection of electrically conductive and non-conductive materials
- Detection of liquids, powdery and solid materials
- Detection possible even through containers and packages
- With mounting frame for universal fastening to hoses
- Sensitivity adjustable
- Cable, highly flexible
- Metal plug
- Integrated amplifier
- Short-circuit protection
- Starting pulse suppression
- LED



Safety instructions

The Instruments are not to be used for safety applications, in particular applications in which safety of persons depends on proper operation of the instruments.

These instruments shall exclusively be used by qualified personnel.



TECHNICAL INFORMATION (typ.)		+20°C, 24V DC
Operating principle		Capacitive
Evaluation		digital
Size		34 x 16 x 8 mm (Dimensions)
Design		cuboid design
Mounting		flush
Operating distance		8 mm
Service voltage		12 ... 30 V DC
Internal power consumption		< 10 mA
Sensitivity adjustment		potentiometer
Switching output		npn, 50 mA, NC
Switching hysteresis		< 10 %
Voltage drop		< 1,5 V
Switching frequency		100 Hz
Ambient temperature		-30 ... +70 °C
Insulation voltage endurance		500 V
Protection class		IP 67
Casing material		plastics (polypropylene - PP)
Connection		Connector, M8, 3-poled
Scope of delivery		mini-screwdriver, mounting frame, cover plate