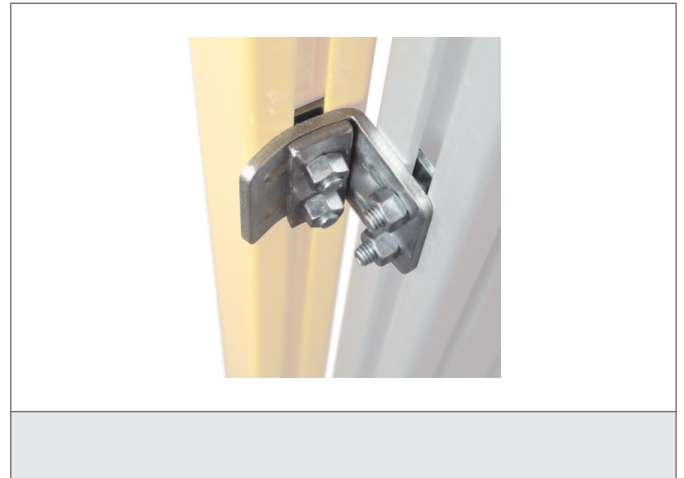


SFB 6E

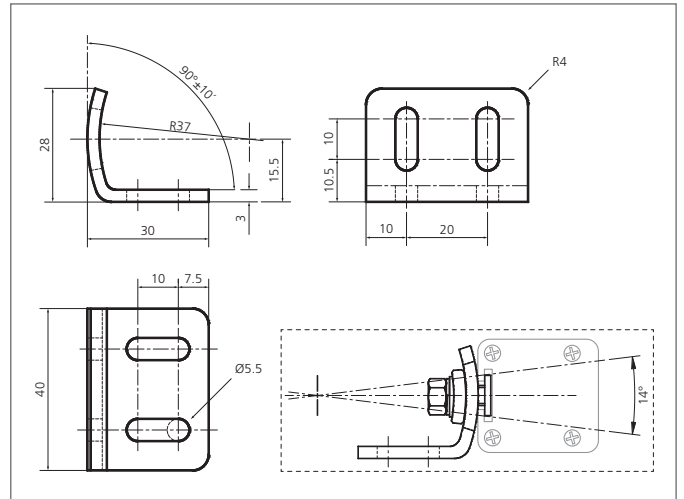
Adjustable fixing brackets

- Adjustable
- Robust design
- Set includes the for emitter and receiver necessary brackets
- Use is recommended for long distances or the use of deflection mirrors



Safety instructions

All the installation, connection and safety regulations, as per our technical information, have to be strictly adhered to.
The set-up of the products have to be made by skilled staff, only.
Repair exclusively made by di-soric.



TECHNICAL INFORMATION (typ.)

Operating principle	Adjustable fixing bracket
Adjustment range	14°
For	all light curtains / -grids with a protected height starting from 1.210 mm
Material	Zinc plated metal (Fixing brackets)
Scope of delivery	quick installation guide, 6 adjustable fixing brackets, Fixing material