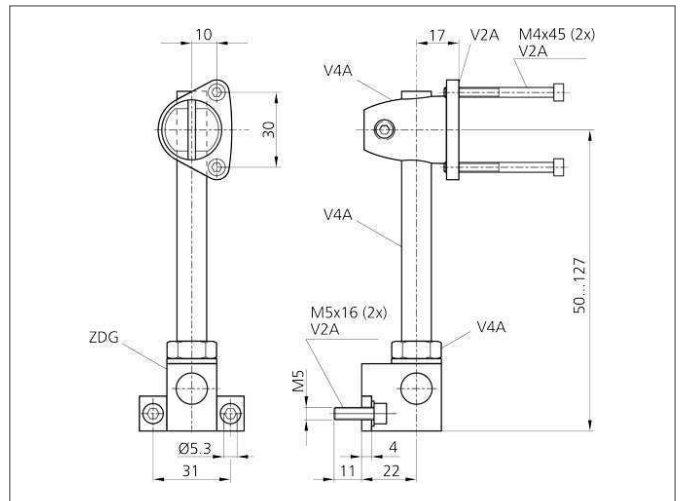
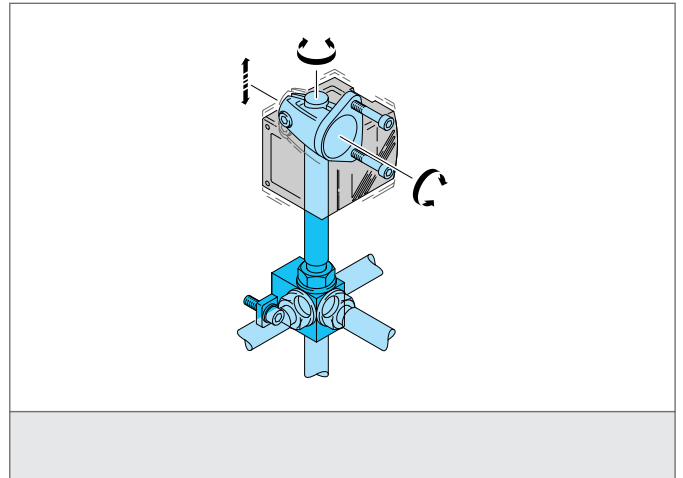


# SH-LHT9-45 Mounting Kit

- Adjustable
- Robust design



### TECHNICAL INFORMATION (typ.)

Hole spacing	30 mm
Characteristics	Adjustable, robust design
Mounting hole	Ø 4,3 mm
For	Laser distance sensors LHT 9-45 ...
Casing material	stainless steel