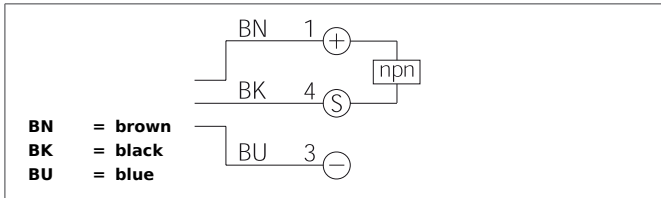


# OHT 31 K 200 N1K-TSSL

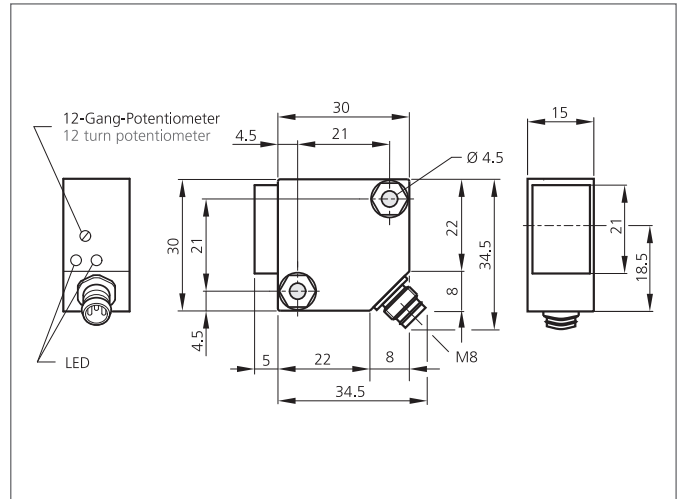
## Diffuse Sensor with Background Suppression

- Small design
- Red light
- 12-turn potentiometer
- Background suppression
- Sensitivity adjustable, large operating distance



### Safety instructions

The Instruments are not to be used for safety applications, in particular applications in which safety of persons depends on proper operation of the instruments.  
 These instruments shall exclusively be used by qualified personnel.



TECHNICAL INFORMATION (typ.)	+20°C, 24V DC
Operating principle	Diffuse reflective sensor
Evaluation	digital
Size	30 x 30 x 15 mm (Dimensions)
Design	cuboid design
Emitted light	Red, 660 nm, clocked
Standardized measuring plate	100 x 100 mm, white
Service voltage	10 ... 36 V DC
Internal power consumption	< 25 mA
background suppression	yes
Operating distance	15 ... 200 mm adjustable
Sensitivity adjustment	Potentiometer 12-way
Switching output	npn, 200 mA, NO
Switching hysteresis	< 5 %
Voltage drop	< 2,0 V
Switching frequency	500 Hz
Response-/release time	< 1 ms / < 1 ms
Ambient temperature	-25 ... +55 °C
Temperature drift	0,3 %/K
Ambient light immunity	10 kLx
Insulation voltage endurance	1.000 V
Protection class	IP 67
Protection degree	III, operation on protective low voltage
Casing material	plastics (PBT)

## OHT 31 K 200 N1K-TSSL

### Diffuse Sensor with Background Suppression

TECHNICAL INFORMATION (typ.)	
Material	glass (Window)
Connection	Connector, M8, 3-poled