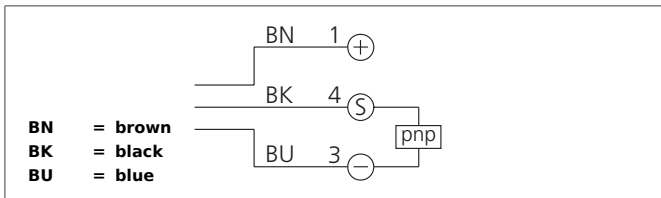


# OHT 31 K 200 P2K-TSSL

## Diffuse Sensor with Background Suppression

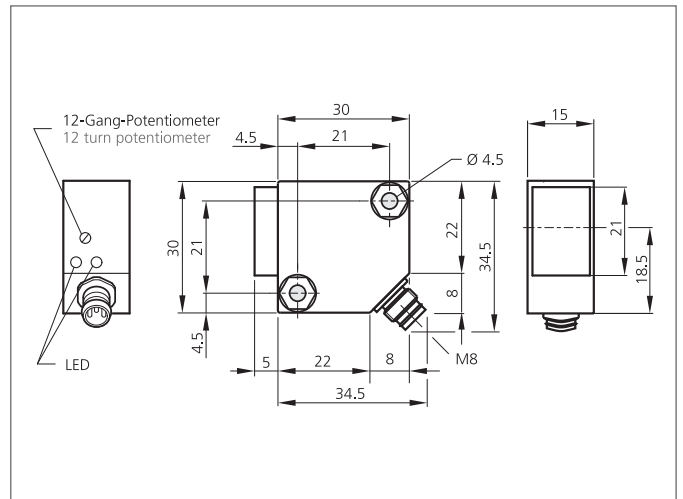
- Small design
- Red light
- 12-turn potentiometer
- Background suppression
- Sensitivity adjustable, large operating distance



### Safety instructions

The Instruments are not to be used for safety applications, in particular applications in which safety of persons depends on proper operation of the instruments.

These instruments shall exclusively be used by qualified personnel.



TECHNICAL INFORMATION (typ.)		+20°C, 24V DC
Operating principle		Diffuse reflective sensor
Evaluation		digital
Size		30 x 30 x 15 mm (Dimensions)
Design		cuboid design
Emitted light		Red, 660 nm, clocked
Standardized measuring plate		100 x 100 mm, white
Service voltage		10 ... 36 V DC
Internal power consumption		< 25 mA
background suppression		yes
Operating distance		15 ... 200 mm adjustable
Sensitivity adjustment		Potentiometer 12-way
Switching output		pnp, 200 mA, NC
Switching hysteresis		< 5 %
Voltage drop		< 2,0 V
Switching frequency		1.000 Hz
Response-/release time		< 0,5 ms / < 0,5 ms
Ambient temperature		-25 ... +55 °C
Temperature drift		0,3 %/K
Ambient light immunity		10 kLx
Insulation voltage endurance		1.000 V
Protection class		IP 67
Protection degree		III, operation on protective low voltage
Casing material		plastics (PBT)

**OHT 31 K 200 P2K-TSSL**  
**Diffuse Sensor with Background**  
**Suppression**

<b>TECHNICAL INFORMATION (typ.)</b>	<b>+20°C, 24V DC</b>
Material	glass (Window)
Connection	Connector, M8, 3-poled