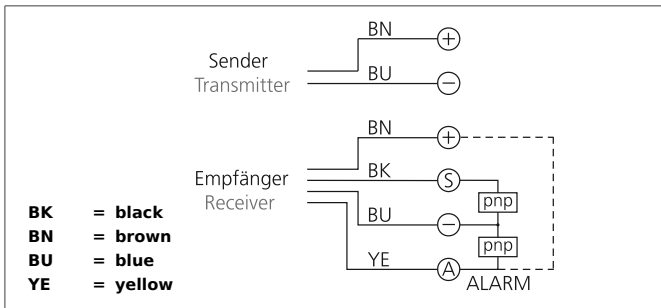


# LA 8-25-175-360 I-H

## Light Curtain

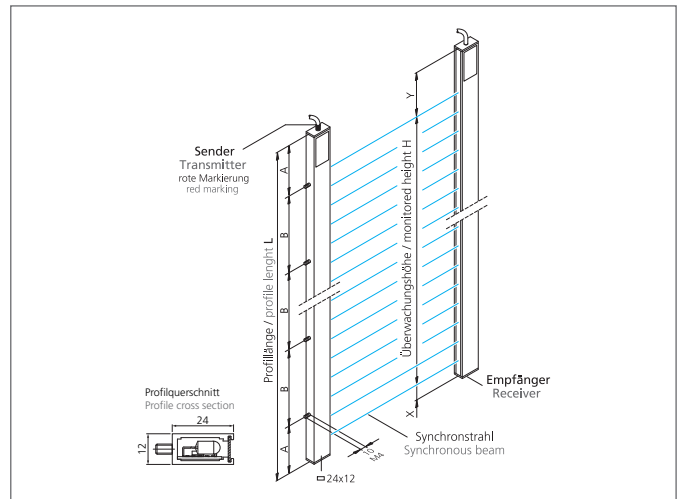
- Horizontal beam evaluation
- Integrated evaluation electronics
- Transistor outputs
- Fault alarm output
- Compact design
- Aluminium casing
- Easy-to-install



### Safety instructions

The Instruments are not to be used for safety applications, in particular applications in which safety of persons depends on proper operation of the instruments.

These instruments shall exclusively be used by qualified personnel.



| TECHNICAL INFORMATION (typ.) |  | +20°C, 24V DC                                      |
|------------------------------|--|--|
| Evaluation                   |  | horizontal   |
| Size                         |  | 12 x 24 mm (Profile cross section)                 |
| Light beam interspace        |  | 25 mm  |
| Number of beams              |  | 8  |
| Monitored height             |  | 175 mm   |
| Number                       |  | 2 (threaded bolts)                                 |
| Dimension                    |  | 30 mm (A)<br>300 mm (B)<br>20 mm (X)<br>160 mm (Y) |
| Profile length               |  | 360 mm   |
| Emitted light                |  | Infrared, 880 nm                                   |
| Service voltage              |  | 20,4 ... 28,8 V DC                                 |
| Operating distance           |  | 0,7 ... 4 m factory setting                        |
| Light beam evaluation        |  | up to integrated evaluation electronics            |
| Switching output             |  | pnp, 200 mA, NC, short circuit protected           |
| Total cycle time             |  | Number of light beams x 1 ms + 4 ms                |
| Evaluation electronics       |  | integrated   |
| Cycle time                   |  | 1 ms per light beam                                |
| Power consumption            |  | 8 W  |
| Display                      |  | LED: Service voltage / output stage, error (Alarm) |
| Basic processing time        |  | 4 ms   |
| Ambient temperature          |  | -10 ... +45 °C                                     |
| Protection class             |  | IP 54, (IP 65 optional)                            |

# LA 8-25-175-360 I-H

## Light Curtain



|                                     |                                       |
|-------------------------------------|---------------------------------------|
| <b>TECHNICAL INFORMATION (typ.)</b> | <b>+20°C, 24V DC</b>                  |
| EMC directives                      | EN 61000-6-3:2001 / EN 61000-6-1:2001 |
| Casing material                     | Aluminium silver anodized             |
| Connection                          | Cable, 4 m, with end splice           |