

OT 6-41 K 0.6 P2-T3 Diffuse Sensor

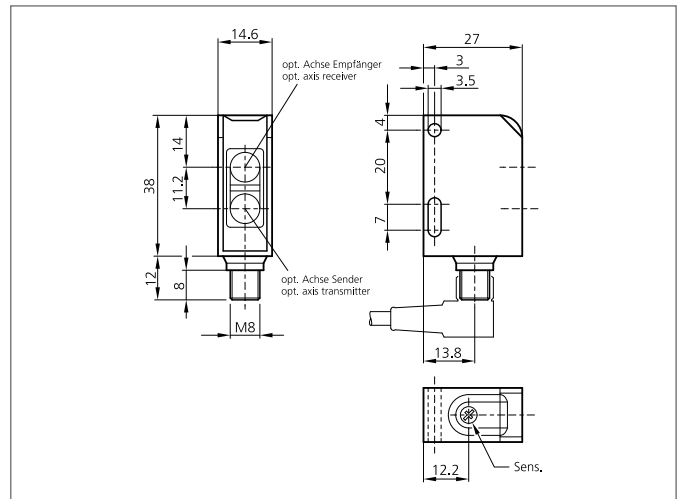
- High scanning range
- Sensitivity adjustable
- Small design
- All-purpose mounting
- LED indicator for output state



Safety instructions

The Instruments are not to be used for safety applications, in particular applications in which safety of persons depends on proper operation of the instruments.

These instruments shall exclusively be used by qualified personnel.



TECHNICAL INFORMATION (typ.)		+20°C, 24V DC
Operating principle		Diffuse reflective sensor
Evaluation		digital
Design		cuboid design
Emitted light		Red, 630 ... 670 nm, clocked
Standardized measuring plate		200 x 200 mm, white 90 % reflexion
Service voltage		10 ... 30 V DC
Internal power consumption		< 25 mA
background suppression		no
Operating distance		0 ... 600 mm
Sensitivity adjustment		potentiometer
Switching output		pnp, 100 mA, NC
Switching hysteresis		< 10 %
Switching frequency		500 Hz
Reproducibility		0,1 mm
Ambient temperature		-25 ... +60 °C
Ambient light immunity		5 kLx
Protection class		IP 67
Protection degree		III, operation on protective low voltage
Casing material		plastics
Connection		M8, 3-poled