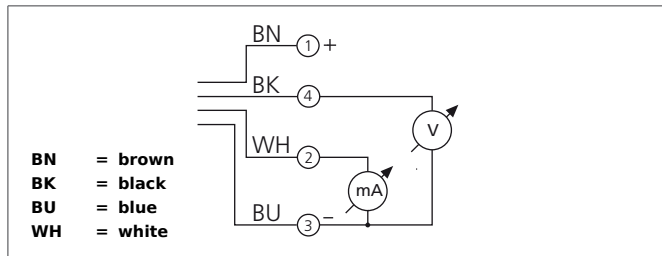


DCC 18 M 20/10 AIK-IBS

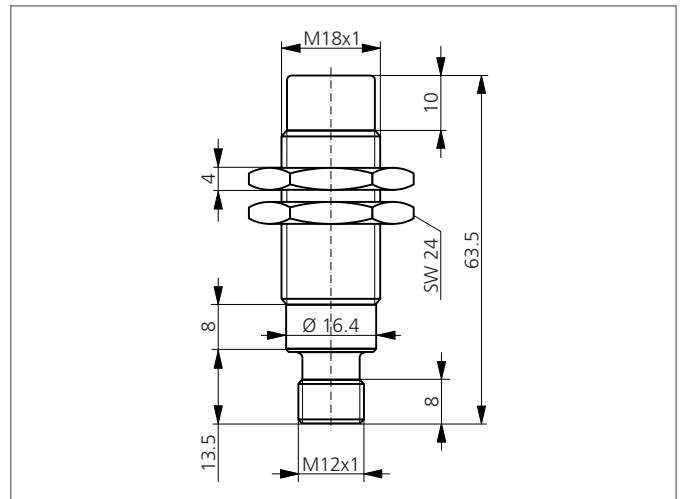
Inductive Proximity Switch

- Analog current output
- Analog voltage output
- Metal plug
- Integrated amplifier
- Short-circuit protection
- Inverse polarity protection
- Starting pulse suppression



Safety instructions

The Instruments are not to be used for safety applications, in particular applications in which safety of persons depends on proper operation of the instruments.
 These instruments shall exclusively be used by qualified personnel.



| TECHNICAL INFORMATION (typ.) | +20°C, 24V DC |
|------------------------------|--|
| Operating principle | Inductive |
| Evaluation | analog |
| Size | M18 x 1 (thread) |
| Design | screw |
| Mounting | non-flush |
| Characteristics | extremely high operating distance |
| Operating distance | 0 ... 20 mm |
| Standardized measuring plate | 60 x 60 x 1 mm |
| Service voltage | 15 ... 30 V DC |
| Internal power consumption | < 12 mA |
| Resolution | 5 µm |
| Analog output | 0 ... 10 V (> 10 KΩ), 4 ... 20 mA (< 500 Ω), unlinearized |
| Shock-/vibration load | IEC 60947-5-2 / 7.4 |
| Switching frequency | 250 Hz |
| Repeatability | 0.05 mm (TA = constant), 0.3 mm (according to IEC 60947-5-2) |
| Ambient temperature | -25 ... +70 °C |
| Insulation voltage endurance | 500 V |
| Protection class | IP 67 |
| Casing material | brass nickel plated |
| Material | PBT (Sensor probe) |
| Connection | Connector, M12, 4-poled |