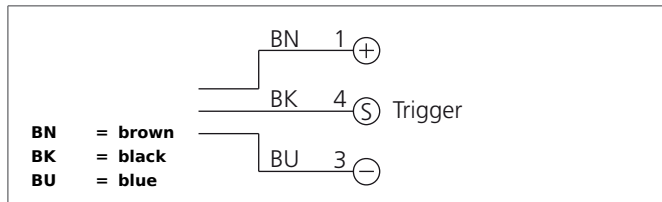
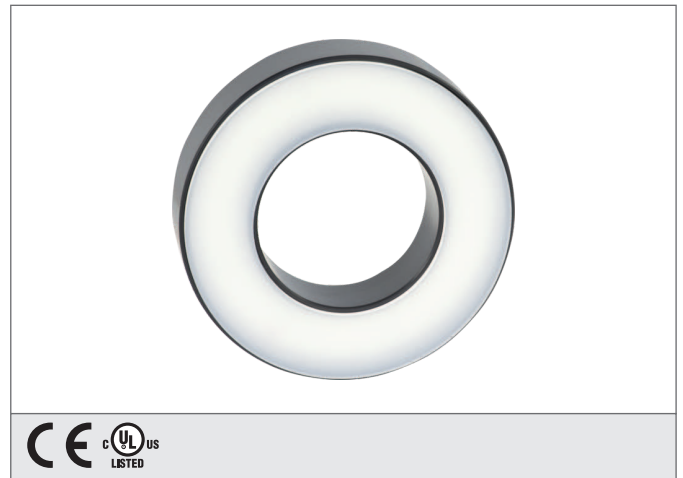


BEK-R70/120-G5TI-IBS-POL

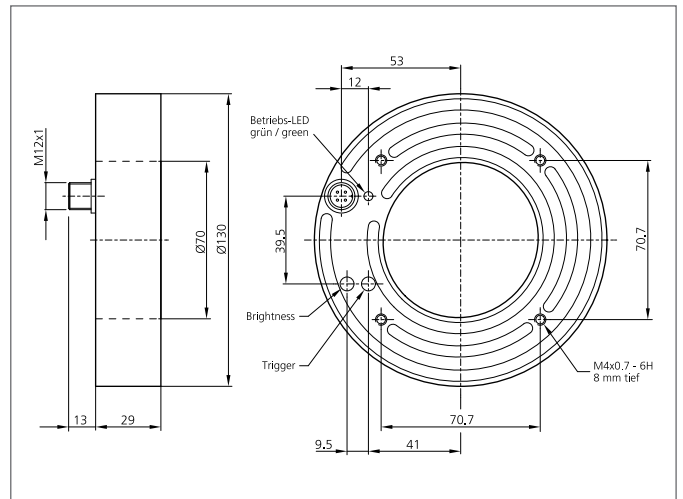
Ringlight

- Constant level of light intensity over the entire voltage range
- Internal control of power output
- Homogenous illumination
- High protection class IP 67
- External trigger input
- High efficiency
- Light intensity can be adjusted
- Low levels of heat produced
- Sturdy housing design
- Metal casing



Safety instructions

The Instruments are not to be used for safety applications, in particular applications in which safety of persons depends on proper operation of the instruments.
These instruments shall exclusively be used by qualified personnel.



TECHNICAL INFORMATION (typ.)	+20°C, 24V DC
Size	Ø 70 / Ø 130 mm (Diameter)
Design	Ringlight
Characteristics	Internal control of power output
Light colour	White, polarised, 6500 K
Emission angle	120°
Illumination intensity	4.800 Lux (0,1 m), 1.800 Lux (0,2 m), 370 Lux (0,5 m)
Service voltage	18 ... 35 V DC (Supply Class 2)
Internal power consumption	560 mA, (18 V DC)
Trigger input low level	0 ... <2,8 V
Trigger input high level	> 3,3 ... 35 V
Power	10,0 W (24 V DC)
Shock-/vibration load	10 ... 55 Hz / 1,0 mm / 30 g
Inverse polarity protection	Yes
Display	LED: green - operation indicator
Ambient temperature	0 ... +40 °C
Insulation voltage endurance	500 V
Protection class	IP 67
Protection degree	III, operation on protective low voltage
Risk group (DIN EN 62471)	Free group
Casing material	Aluminium anodized
Material	PMMA, polarized (Protection optics)
Connection	Connector, M12, 3-poled
Connecting cable	VK ...