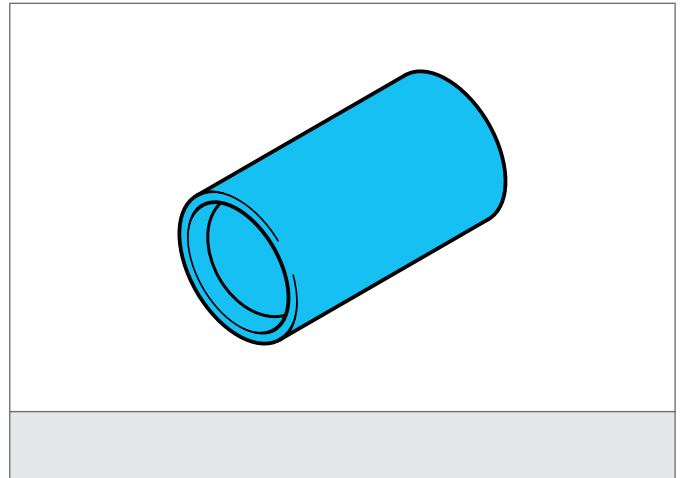


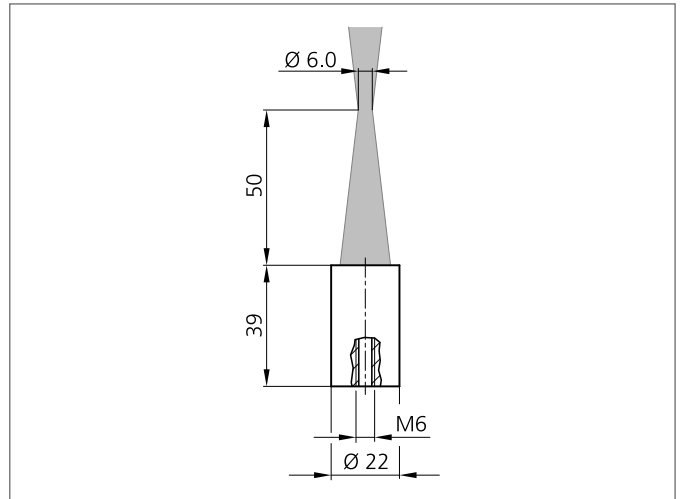
# VO-M6/50-M6x30-2.5

## Focus Optic



### Safety instructions

The Instruments are not to be used for safety applications, in particular applications in which safety of persons depends on proper operation of the instruments.  
These instruments shall exclusively be used by qualified personnel.



### TECHNICAL INFORMATION (typ.)

Working distance	50 mm
Measuring spot	Ø 6 mm
Scanning range	35 ..., 60 mm