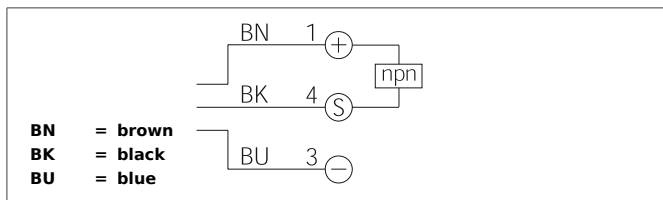


OHT 68 K 2000 N3K-BSL

Diffuse Sensor with Background Suppression

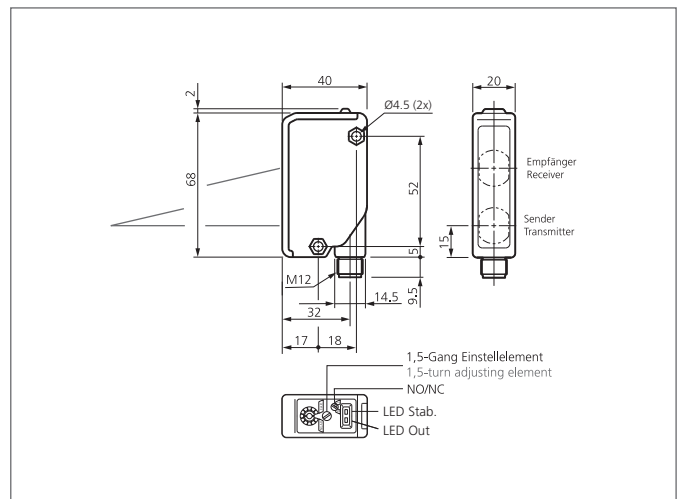
- 1,5-turn adjusting element
- Background suppression
- Infrared light
- Sensitivity adjustable
- High resolution



Safety instructions

The Instruments are not to be used for safety applications, in particular applications in which safety of persons depends on proper operation of the instruments.

These instruments shall exclusively be used by qualified personnel.



TECHNICAL INFORMATION (typ.)	+20°C, 24V DC
Operating principle	Diffuse reflective sensor
Evaluation	digital
Size	68 x 40 x 20 mm (Dimensions)
Design	cuboid design
Emitted light	Infrared, 880 nm, clocked
Standardized measuring plate	200 x 200 mm, white
Service voltage	10 ... 30 V DC
Internal power consumption	< 55 mA
background suppression	yes
Operating distance	200 ... 2.000 mm
Sensitivity adjustment	potentiometer
Switching output	npn, 100 mA, NO/NC, switchable
Switching hysteresis	< 10 %
Switching frequency	250 Hz
Response-/release time	< 2 ms / < 2 ms
Ambient temperature	-25 ... +55 °C
Temperature drift	0,3 %/K
Ambient light immunity	10 kLx
Insulation voltage endurance	1.000 V
Protection class	IP 67
Protection degree	III, operation on protective low voltage
Casing material	plastics
Material	plastic (Window)

OHT 68 K 2000 N3K-BSL
Diffuse Sensor with Background
Suppression



TECHNICAL INFORMATION (typ.)

+20°C, 24V DC

Connection

Connector, M12, 3-poled