

ID-01-LR-1-S Laser-Scanner

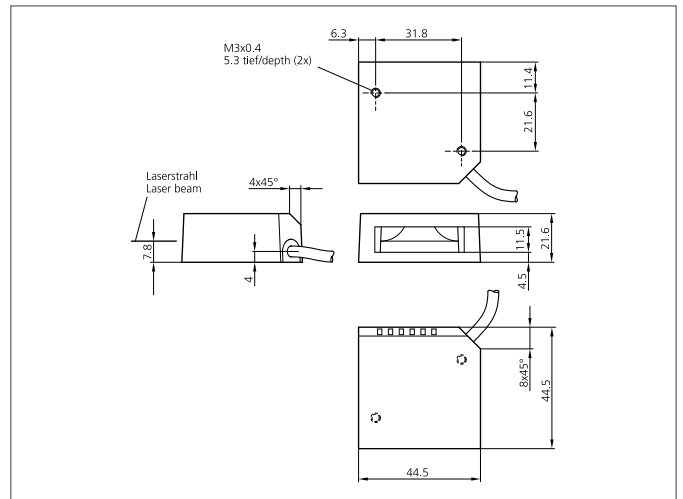


- Compact design and low weight
- Up to 1.000 scans per second
- Visual display
- Large field of view
- Real-time control



Safety instructions

Inproper use may result in hazardous radiation exposure. Pay attention to accident prevention rules and laser class. The instruments are not to be used for safety applications, in particular applications in which safety of persons depends on proper operation of the instruments. These instruments shall exclusively be used by qualified personnel.



TECHNICAL INFORMATION (typ.)	+20°C, 5V DC
Size	44.5 x 44.5 x 21.6 mm (Dimensions)
Emitted light	Red light laser, 650 nm
Laser class	2 (IEC 60825-1)
Service voltage	5 V DC ± 5%, (24 V with VSID-A-24/5V-S)
Internal power consumption	260 mA, (5 V DC)
Trigger input	3 ... 24 V DC, 1,0 mA (5 V DC)
Outputs 1, 2 and 3	5 V TTL compatible, npn 10 mA / pnp 2 mA
Interface	(up to 115.2 k), RS 232, RS 422, RS 485
Laser power	100 µW
Ambient temperature	0 ... +50 °C
Protection class	IP 54
Connection	Cable, 15-poled
Label contrast	25% min. (650 nm)
Symbologies - 1D-Codes	Code 39, Code 93, Code 128, Interleaved 2 of 5, UPC / EAN, Codabar, Pharmacode
Symbologies - Stacked codes	PDF 417 (option)
Protocols	Point-to-Point, Point-to-Point w/RTS/CTS, Point-to-Point w/XON/XOFF, Point-to-Point w/RTS/CTS & XON/XOFF, Polling Mode D, Multidrop, User Defined, User Defined Multidrop, Daisy Chain
Weight	57 g
Scanning	Raster-Line, 7 raster-lines over 1.5°
optical density	Low
Reading speed	300 ... 1.000 scans / s (adjustable)
Position scanner to code	Tilt >70°, Pitch ± 50°, Skew ± 40°