

ID-04-IM1-1-U

Image based ID-Reader

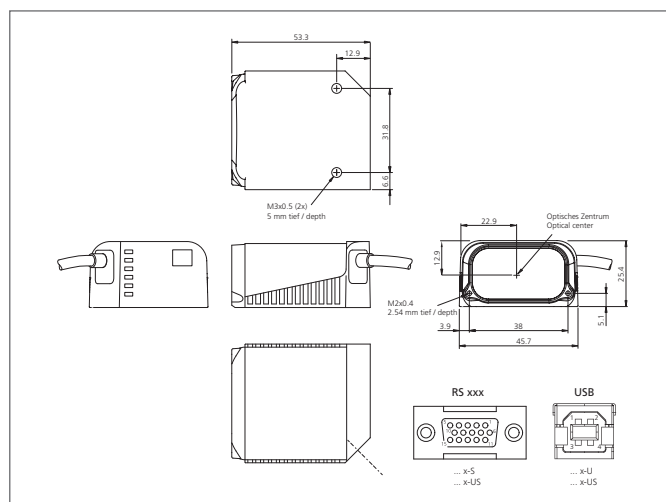
- Up to 10 decodes per second
- Large field of view
- Compact design
- Integrated lighting



Safety instructions

The Instruments are not to be used for safety applications, in particular applications in which safety of persons depends on proper operation of the instruments.

These instruments shall exclusively be used by qualified personnel.



TECHNICAL INFORMATION (typ.)	+20°C, 5V DC
Size	25.4 x 45.7 x 53.3 mm (Dimensions)
Service voltage	5 V DC \pm 5%
Internal power consumption	394 mA, (5 V DC)
Resolution	640 x 480 pixel
Trigger input	5 ... 29,9 V DC, 160 mA
Outputs 1, 2 and 3	5 V TTL compatible, npn 10 mA / pnp 10 mA
Interface	USB
Ambient temperature	0 ... +40 °C
Protection class	IP 54
Connection	USB
Label contrast	25% min. (650 nm)
Symbologies - 1D-Codes	Code 39, Code 93, Code 128, Interleaved 2 of 5, GS1 (Composite), BC 412, UPC / EAN, Codabar, Pharmacode
Symbologies - 2D-Codes	Data Matrix (ECC 0-200), QR Code
Symbologies - Stacked codes	PDF 417, Micro PDF, GS1 Databar (Composite & Stacked)
Protocols	Point-to-Point, Point-to-Point w/RTS/CTS, Point-to-Point w/XON/XOFF, Point-to-Point w/RTS/CTS & XON/XOFF, Multidrop, User Defined Multidrop, Daisy Chain
Weight	57 g
Scanning	Optical
optical density	Low
Reading speed	Up to 10 decodings / s
Position scanner to code	Tilt 360°, Pitch \pm 30°, Skew \pm 30°
Image sensor	CMOS