

# ID-05-IM2-2-S

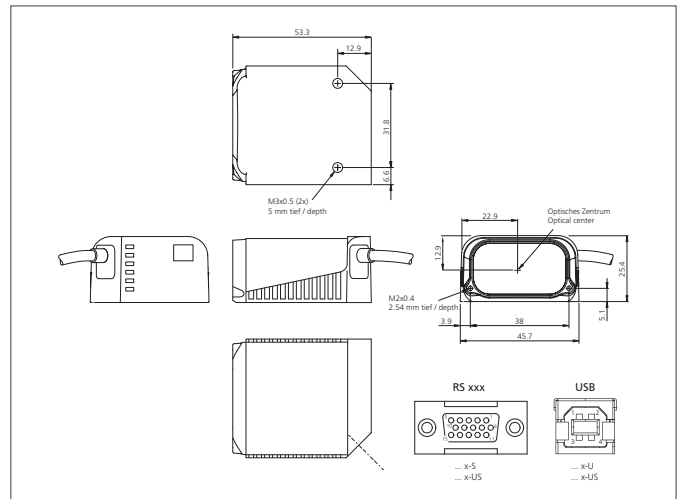
## Image based ID-Reader

- Autofocus
- Integrated lighting
- X-Mode Technology
- Compact design



### Safety instructions

The Instruments are not to be used for safety applications, in particular applications in which safety of persons depends on proper operation of the instruments.  
These instruments shall exclusively be used by qualified personnel.



TECHNICAL INFORMATION (typ.)	+20°C, 5V DC
Size	25.4 x 45.7 x 53.3 mm (Dimensions)
Service voltage	5 V DC $\pm$ 5%, (24 V with VSID-A-24/5V-S)
Internal power consumption	270 mA
Resolution	752 x 480 pixel
Trigger input	5 ... 28 V DC, 0,16 mA
Outputs 1, 2 and 3	5 V TTL compatible, npn 10 mA / pnp 10 mA
Interface	RS 232, RS 422
Ambient temperature	0 ... +50 °C
Protection class	IP 54
Connection	Cable, Sub-D, 15-poled
Symbologies - 1D-Codes	Code 39, Code 93, Code 128, Interleaved 2 of 5, GS1 Databar Applikations standards: UCC / EAN-128, AIAG, UPC / EAN, Codabar, Pharmacode, PLANET, PostNet, Japanese Post, Royal Mail, Australian Post, KIX
Symbologies - 2D-Codes	Data Matrix (ECC 0-200), QR Code, Micro QR Code, Aztec Code
Symbologies - Stacked codes	PDF 417, Micro PDF, GS1 Databar (Composite & Stacked)
Protocols	Point-to-Point, Point-to-Point w/RTS/CTS, Point-to-Point w/XON/XOFF, Point-to-Point w/RTS/CTS & XON/XOFF, Multidrop, User Defined Multidrop, Daisy Chain
Weight	57 g
Scanning	Optical
optical density	Standard
Reading speed	High
Position scanner to code	Tilt 360°, Pitch $\pm$ 30°, Skew $\pm$ 30°

**ID-05-IM2-2-S**  
**Image based ID-Reader**



**TECHNICAL INFORMATION (typ.)**

**+20°C, 5V DC**

Image sensor

CMOS