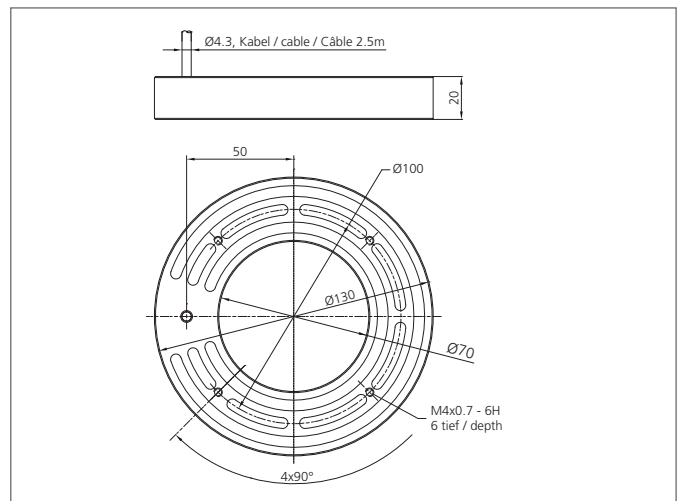
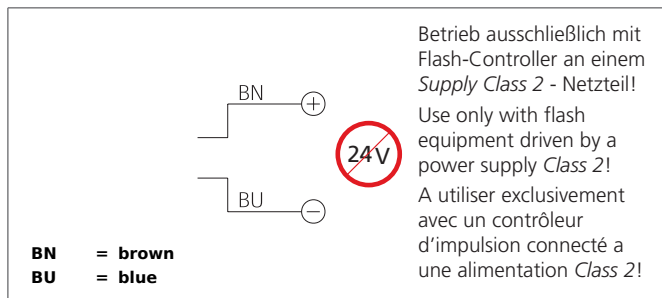
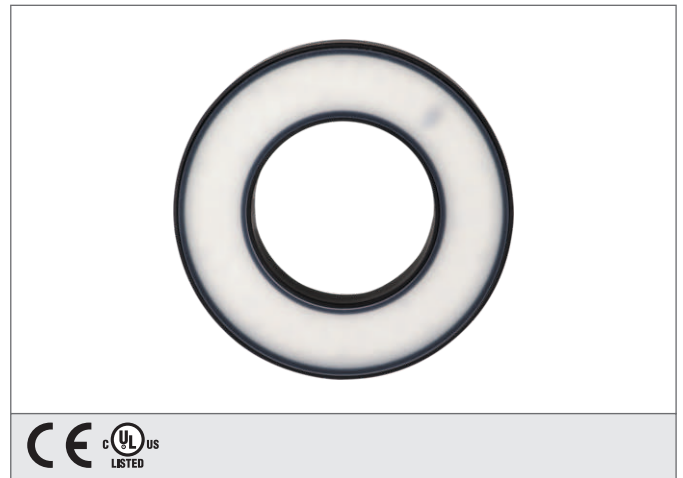


BE-R70-F1-K-DIF

Ringlight for flash controller

- High excess current factor
- Pulsed mode for inspection of fast moving objects
- Extremely powerful light for high depth of field
- Long-life thanks to intelligent thermal management
- Homogenous luminous field
- High protection class IP 67
- Robust metal casing



Safety instructions

The Instruments are not to be used for safety applications, in particular applications in which safety of persons depends on proper operation of the instruments.
These instruments shall exclusively be used by qualified personnel.

TECHNICAL INFORMATION (typ.)	+20°C, 24V DC
Pulse power consumption	96,0 W (max.)
Pulse overload factor	8
Pulse current capacity	6.000 mA
Size	Ø 70 / Ø 130 mm (Diameter) 20 mm (Height)
Design	Ringlight
Characteristics	Flashable by means of flash controller
Light colour	Red, diffuse, 633 nm
Emission angle	30°
Illumination intensity	3.000 Lux (0,2 m / 100%) 10.500 Lux (0,2 m / 400%) 22.000 Lux (0,2 m / 800%) 620 Lux (0,5 m / 100%) 2.400 Lux (0,5 m / 400%) 4.700 Lux (0,5 m / 800%)
Service voltage	No constant voltage!
Shock-/vibration load	10 ... 55 Hz / 1,0 mm / 30 g
Inverse polarity protection	Yes
Ambient temperature	0 ... +40 °C
Insulation voltage endurance	500 V
Protection class	IP 67
Risk group (DIN EN 62471)	Free group
Casing material	Aluminium black anodized
Material	PMMA, diffus (Protection optics)

BE-R70-F1-K-DIF
Ringlight for flash controller



TECHNICAL INFORMATION (typ.)

Connection

+20°C, 24V DC

cable PUR, 2.5 m, flying leads, Use only with flash equipment!