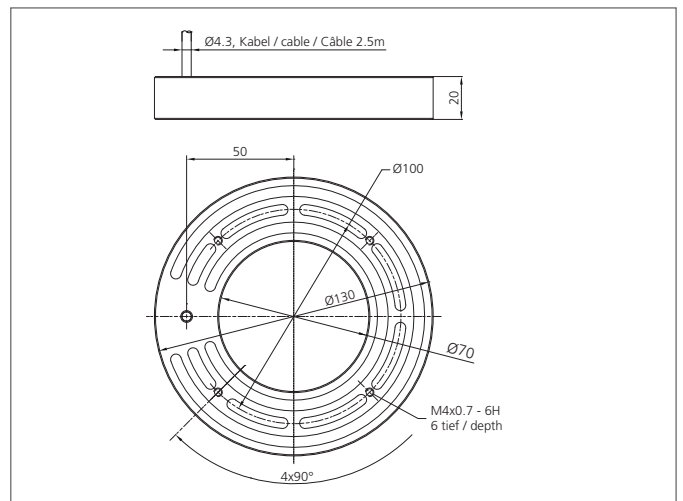
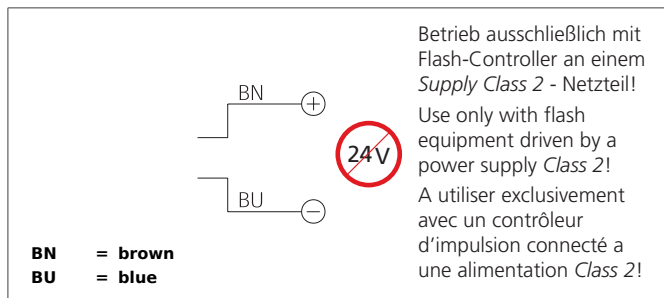
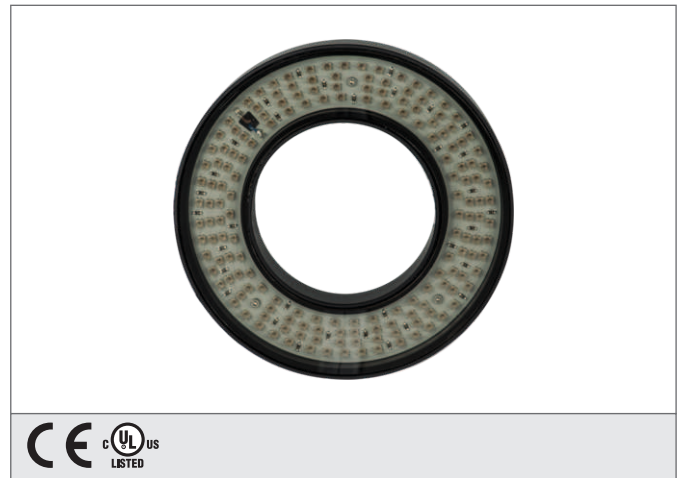


# BE-R70-F1-K-POL

## Ringlight for flash controller

- High excess current factor
- Pulsed mode for inspection of fast moving objects
- Extremely powerful light for high depth of field
- Long-life thanks to intelligent thermal management
- Homogenous luminous field
- High protection class IP 67
- Robust metal casing



### Safety instructions

The Instruments are not to be used for safety applications, in particular applications in which safety of persons depends on proper operation of the instruments.  
These instruments shall exclusively be used by qualified personnel.

| TECHNICAL INFORMATION (typ.) | +20°C, 24V DC  |
|------------------------------|--|
| Pulse power consumption      | 96,0 W (max.)  |
| Pulse overload factor        | 8  |
| Pulse current capacity       | 6.000 mA   |
| Size                         | Ø 70 / Ø 130 mm (Diameter)<br>20 mm (Height)   |
| Design                       | Ringlight  |
| Characteristics              | Flashable by means of flash controller   |
| Light colour                 | Red, polarised, 633 nm   |
| Emission angle               | 30°  |
| Illumination intensity       | 2.900 Lux (0,2 m / 100%)<br>11.700 Lux (0,2 m / 400%)<br>22.800 Lux (0,2 m / 800%)<br>1.100 Lux (0,5 m / 100%)<br>4.100 Lux (0,5 m / 400%)<br>8.300 Lux (0,5 m / 800%) |
| Service voltage              | No constant voltage!   |
| Shock-/vibration load        | 10 ... 55 Hz / 1,0 mm / 30 g   |
| Inverse polarity protection  | Yes  |
| Ambient temperature          | 0 ... +40 °C   |
| Insulation voltage endurance | 500 V  |
| Protection class             | IP 67  |
| Risk group (DIN EN 62471)    | Free group   |
| Casing material              | Aluminium black anodized   |
| Material                     | PMMA, polarized (Protection optics)  |

**BE-R70-F1-K-POL**  
**Ringlight for flash controller**



**TECHNICAL INFORMATION (typ.)**

Connection

**+20°C, 24V DC**

cable PUR, 2.5 m, flying leads, Use only with flash equipment!