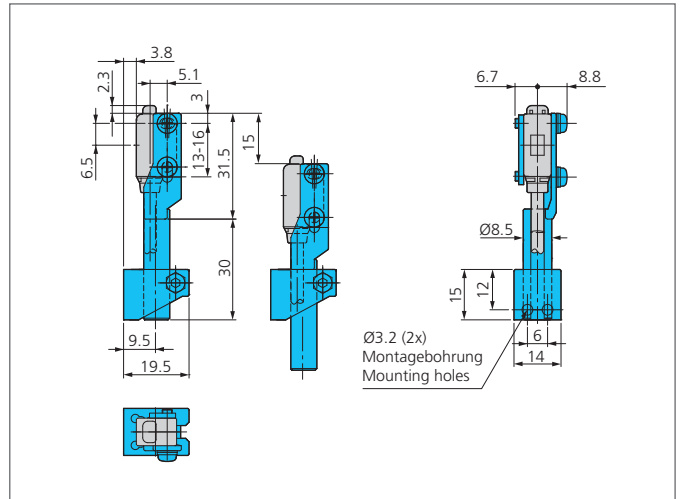
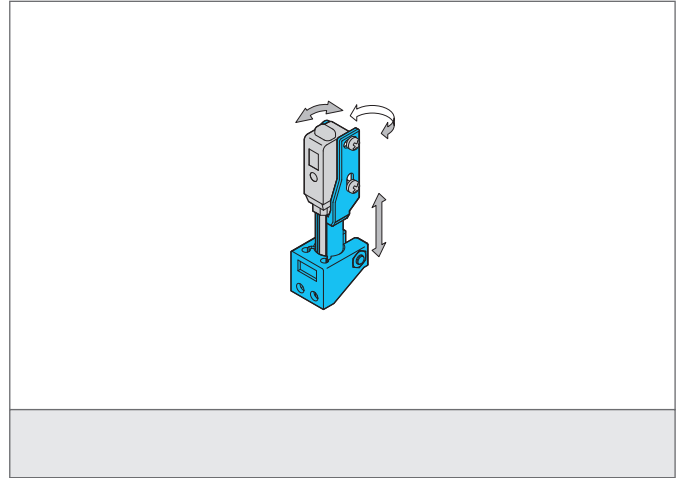


SH-S20

Sensor holder

- Robust design
- Pivotal by 360°
- Height-adjustable by 15 mm
- Tilttable by +/- 3°



TECHNICAL INFORMATION (typ.)

Hole spacing	13 / 16 mm
Mounting hole	Ø 3,2 mm
Casing material	Die-cast zinc