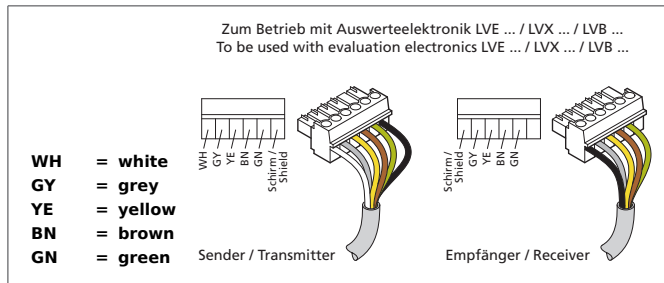
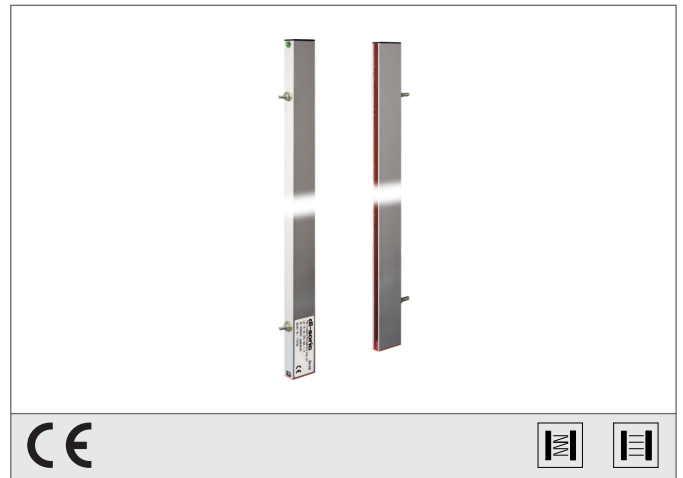


LI 16-12.5-188-240 I

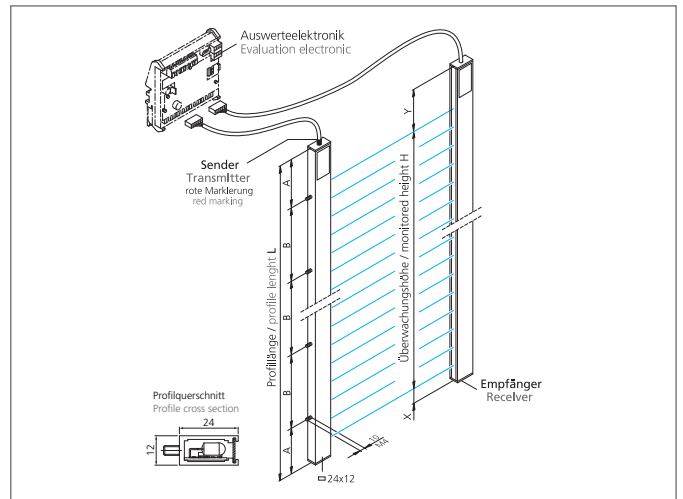
Light Curtain

- With evaluation electronics LVE ... / LVX ... measuring and switching
- With evaluation electronics LVB ... switching
- Beam evaluation horizontal or diagonal
- Compact design
- Aluminium casing
- Easy-to-install



Safety instructions

The Instruments are not to be used for safety applications, in particular applications in which safety of persons depends on proper operation of the instruments.
These instruments shall exclusively be used by qualified personnel.



TECHNICAL INFORMATION (typ.)		+20°C, 24V DC
Evaluation		absolute, percentage, parametrizable via evaluation electronics
Size		12 x 24 mm (Profile cross section)
Light beam interspace		12,5 mm
Number of beams		16
Monitored height		188 mm
Number		2 (threaded bolts)
Output function		parametrizable via evaluation electronics
Dimension		70 mm (A) 100 mm (B) 13,5 mm (X) 38,5 mm (Y)
Profile length		240 mm
Emitted light		Infrared, 880 nm
Service voltage		20 ... 26 V DC (see evaluation electronics)
Operating distance		0,25 ... 6 m adjustable via evaluation electronics
Light beam evaluation		via external evaluation electronics
Measuring range		188 mm
Switching output		NC, NO, parametrizable via evaluation electronics
Evaluation electronics		external
Ambient temperature		-20 ... +40 °C
Protection class		IP 54, (IP 65 optional)
Casing material		Aluminium nature
Connection		Cable, 4 m, with connector, (additional variants on request)