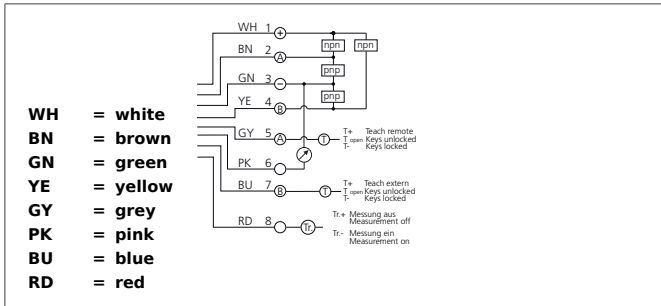


# LLGT 081 M 25 IUG8-B8

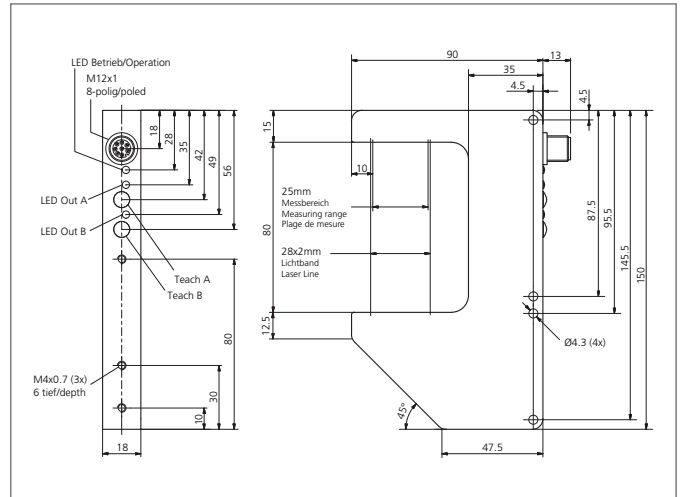
## Laser Line Fork Light Barrier

- Resolution 20µm
- Current / voltage output switchable
- Teach-in for measuring area and switching outputs
- Remote teach option with key-lock function
- Switching outputs with window mode
- Large measuring area
- Robust metal casing



### Safety instructions

Inproper use may result in hazardous radiation exposure. Pay attention to accident prevention rules and laser class. The instruments are not to be used for safety applications, in particular applications in which safety of persons depends on proper operation of the instruments. These instruments shall exclusively be used by qualified personnel.



TECHNICAL INFORMATION (typ.)	+20°C, 24V DC
Operating principle	Optical
Evaluation	digital, analog
Size	150 x 90 x 18 mm (Dimensions)
Design	fork
Fork opening	80 mm
Branch length	55 mm
Emitted light	Red light laser, 650 nm, clocked
Laser class	1 (IEC 60825-1)
Service voltage	18 ... 30 V DC
Internal power consumption	70 mA, (24 V DC)
Resolution	20 µm (Analogausg./analog outp./Sortie anal.), Ø 0,5 mm
Smallest detectable object	Ø 0,5 mm (Schaltausg./switching outp./Sortie de commutation)
Measuring range	25 mm
Sensitivity adjustment	Teach key + remote teach
Switching output	Push pull (2x), 150 mA, NO/NC, switchable
Switching hysteresis	0,1 mm
Analog output	0 ... 10 V, 4 ... 20 mA
Admissible impedance	≤ 500 Ω, ≥ 1k Ω
Frequency of measuring sequence	200 Hz
Display	LED: green - operation, yellow - outputs
Voltage drop	2,0 V
Linearity error	± 0,3 %
Ambient temperature	+5 ... +45 °C

# LLGT 081 M 25 IUG8-B8

## Laser Line Fork Light Barrier



<b>TECHNICAL INFORMATION (typ.)</b>	<b>+20°C, 24V DC</b>
Ambient light immunity	5 kLx
Insulation voltage endurance	500 V
Protection class	IP 67
Protection degree	III, operation on protective low voltage
Casing material	Aluminium black anodized
Material	float glass (Protection optics)
Connection	Connector, M12, 8-poled
Connecting cable	VK ... /8