

DCR 40 K 04 NSLK

Inductive Proximity Switch

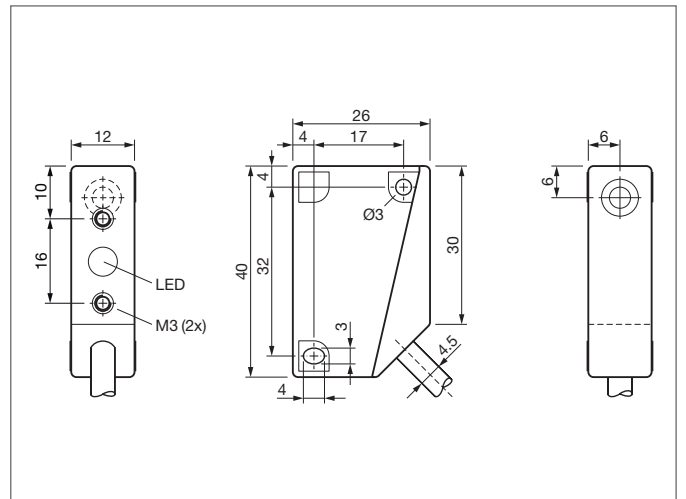
- Cable, highly flexible
- Integrated amplifier
- Short-circuit protection
- Starting pulse suppression
- LED



Safety instructions

The Instruments are not to be used for safety applications, in particular applications in which safety of persons depends on proper operation of the instruments.

These instruments shall exclusively be used by qualified personnel.



TECHNICAL INFORMATION (typ.)		+20°C, 24V DC
Operating principle		Inductive
Evaluation		digital
Size		40 x 26 x 12 mm (Dimensions)
Design		cuboid design
Mounting		non-flush
Operating distance		4 mm
Standardized measuring plate		12 x 12 x 1 mm
Service voltage		10 ... 35 V DC
Internal power consumption		< 10 mA
Switching output		npn, 200 mA, NO
Switching hysteresis		< 15 %
LED indicator		yes
Voltage drop		< 2,4 V
Switching frequency		800 Hz
Ambient temperature		-25 ... +70 °C
Insulation voltage endurance		500 V
Protection class		IP 67
Casing material		plastics
Connection		cable PUR, 2 m