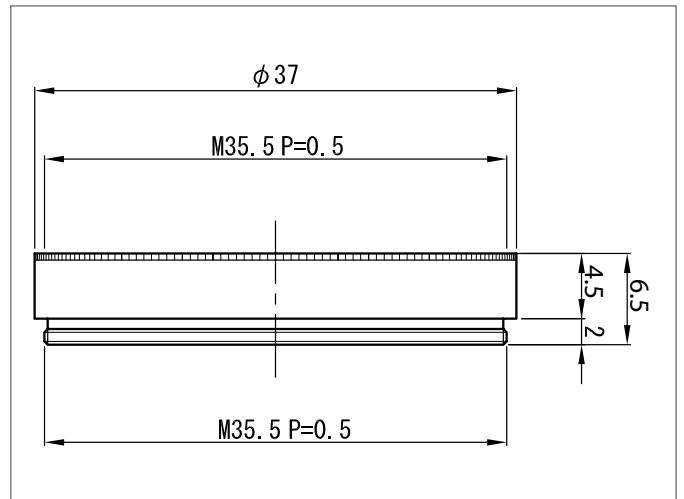


## O-PG-35

### Lens protection glass

- Reliably protects the lens against oil, coolants, dirt and damage
- Real-glass protective screen
- Housing made of black anodized aluminium



#### TECHNICAL INFORMATION (typ.)

Size

**+20°C, 24V DC**

Ø 37 mm (Diameter)  
6,5 mm (Height)

Material

Aluminium (Filter thread)  
Glass (Filter)

Filter thread

M35.5 x 0.5