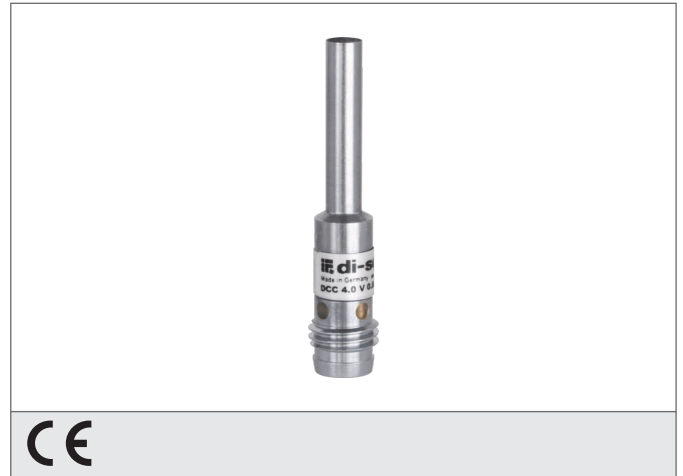


# DCC 4.0 V 0.8 PSK-TSL

## Inductive Proximity Switch

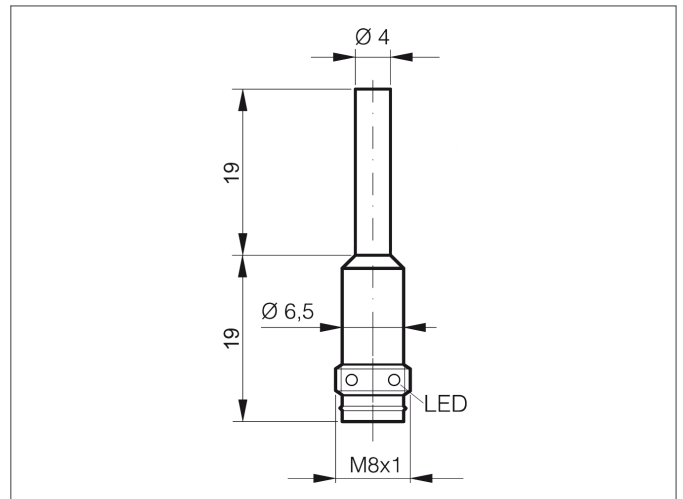
- Metal plug
- Integrated amplifier
- Short-circuit protection
- Starting pulse suppression
- LED



### Safety instructions

The Instruments are not to be used for safety applications, in particular applications in which safety of persons depends on proper operation of the instruments.

These instruments shall exclusively be used by qualified personnel.



TECHNICAL INFORMATION (typ.)		+20°C, 24V DC
Operating principle		Inductive
Evaluation		digital
Size		Ø 4 mm (Diameter)
Design		cylinder
Mounting		flush
Operating distance		0,8 mm
Standardized measuring plate		4 x 4 x 1 mm
Service voltage		10 ... 30 V DC
Internal power consumption		< 10 mA
Switching output		pnp, 200 mA, NO
Switching hysteresis		< 15 %
Voltage drop		< 1,0 V
Switching frequency		2.000 Hz
Ambient temperature		-25 ... +70 °C
Insulation voltage endurance		500 V
Protection class		IP 67
Casing material		stainless steel V2A (1.4301 / AISI 304)
Connection		Connector, M8, 3-poled