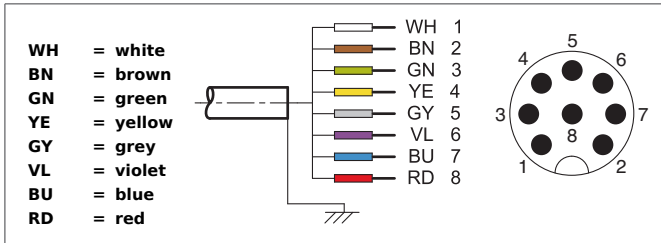
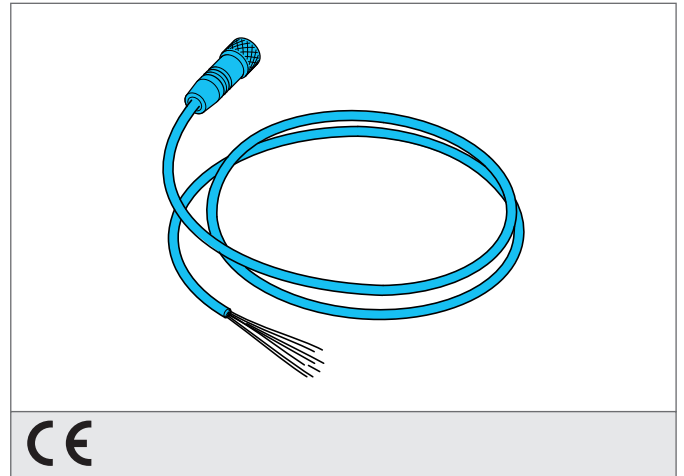


VKHM-Z-5/8

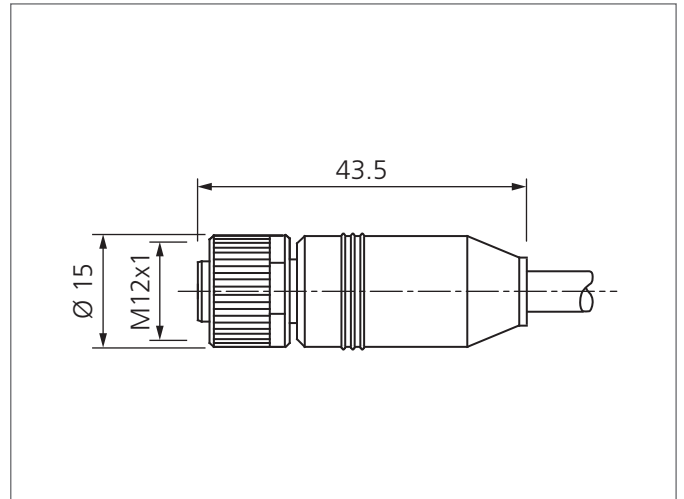
Connecting cable

- Drag chain compatible
- Sturdy metal coupling ring
- Durable PU coating
- Flexible lead design
- Good stripping properties
- High protection class
- Gold-plated plug-in contacts



Safety instructions

The Instruments are not to be used for safety applications, in particular applications in which safety of persons depends on proper operation of the instruments. These instruments shall exclusively be used by qualified personnel.



TECHNICAL INFORMATION (typ.)	+20°C, 24V DC
Size	Ø 6 mm (Diameter) M12 x 1 (thread)
Design	straight
Length	5.000 mm
Characteristics	metal coupling ring
Service voltage	< 30 V AC/DC
LED indicator	no
Ambient temperature	-40 ... +80°C (fixed), -20 ... +80°C (moved)
Protection class	IP 67, (at tightening torque 0,6 Nm)
Material	PUR (Cable) PUR (connector)
Connection	Connector, M12, 8-poled
Drag chain compatible	Yes
Drag chain properties	2 Mio. (Bending cycles) 90 mm (Minimum bending radius)