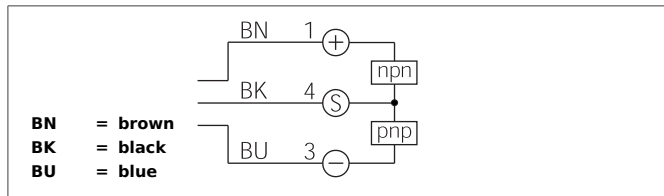
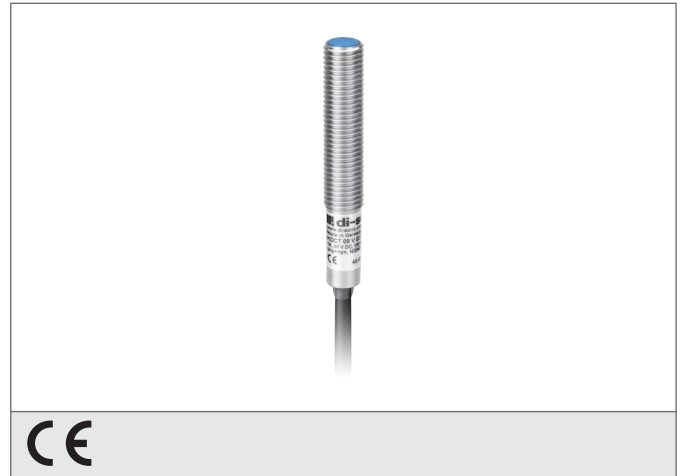


KDCT 08 V 02 G3-3 Capacitive Proximity Switch

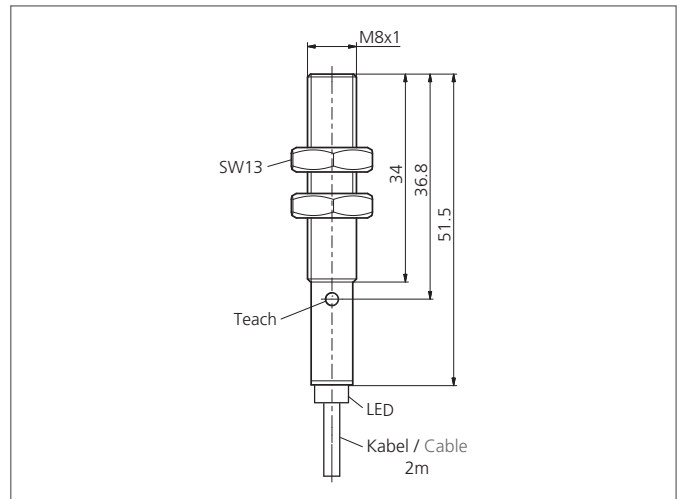
- Teach-in key
- Push-pull output pnp + npn
- Sensitivity adjustable, large operating distance
- Variable hysteresis
- Detection of liquids, powdery and solid materials
- Detection of metallic and non-metallic parts
- Detection possible even through containers and packages
- Stainless steel casing



Safety instructions

The Instruments are not to be used for safety applications, in particular applications in which safety of persons depends on proper operation of the instruments.

These instruments shall exclusively be used by qualified personnel.



TECHNICAL INFORMATION (typ.)	+20°C, 24V DC
Operating principle	Capacitive
Evaluation	digital
Size	M8 x 1 (thread)
Design	screw
Mounting	flush
Operating distance	2 mm (0,1 ... 3 mm adjustable)
Standardized measuring plate	8 x 8 mm
Service voltage	18 ... 30 V DC
Internal power consumption	< 20 mA, (24 V DC)
Sensitivity adjustment	Teach key
Switching output	Push pull, 150 mA, NO/NC, switchable
Switching hysteresis	variable
Display	LED yellow (Display output)
Voltage drop	2,4 V
Switching frequency	70 Hz
Ambient temperature	-25 ... +70 °C
Insulation voltage endurance	500 V
Protection class	IP 65
Protection degree	III, operation on protective low voltage
Casing material	stainless steel V2A (1.4301 / AISI 304)
Material	PBT (Sensor probe)
Connection	cable PUR, 2 m