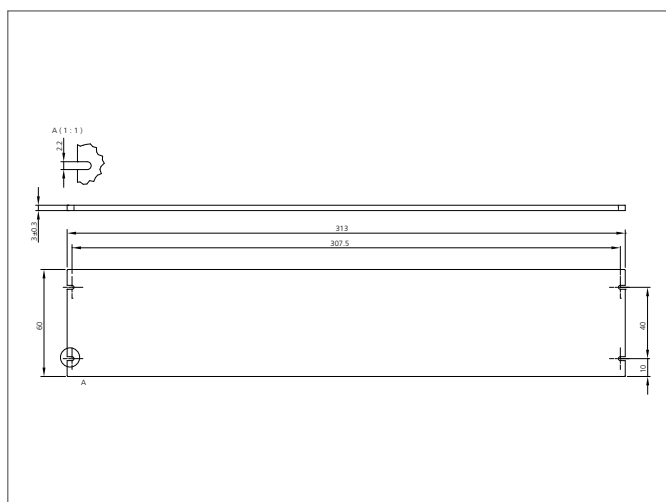
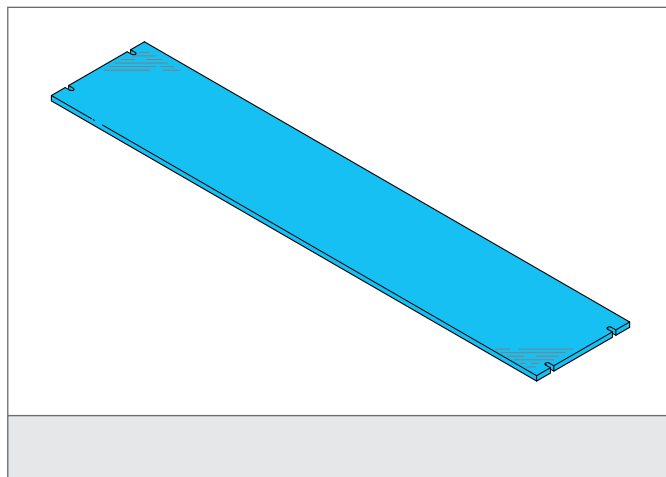


BEK-A300-DIF

Diffusor

- Diffusion filter
- Homogenous light reduction
- Quick and easy fix and mounting
- Scratch-proof protection window
- Mounting materials included in scope of delivery



TECHNICAL INFORMATION (typ.)		+20°C, 24V DC
Characteristics		Mounting hardware included
For		Bar lights BE-A300..., Bar lights BEK-A300...
Material		PMMA, hardcoated (Window)