

# BE-A100-F0-K

## Barlight

- High excess current factor
- Flash mode operation for „frozen images“ and inspection of fast moving objects at extremely high light intensity
- Long-life thanks to intelligent thermal management
- Homogenous luminous field
- High protection class
- Robust metal casing
- Universal mounting possibility
- Scratch-proof protection window
- Crossbars and focus optics available as an option

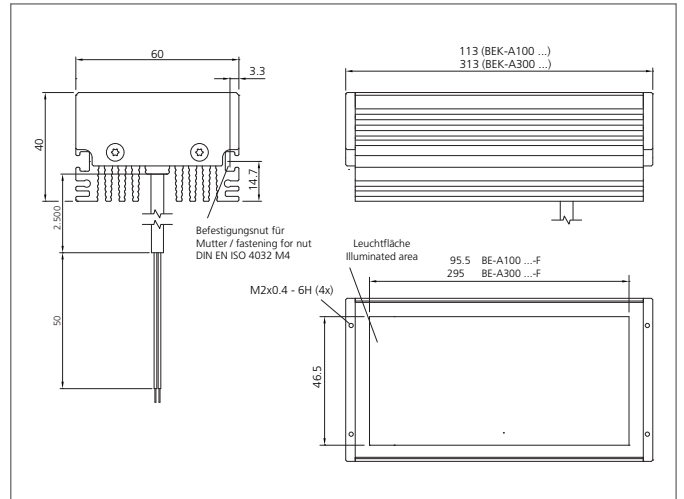


**BN = brown**  
**BU = blue**

Betrieb ausschließlich mit Flash-Controller an einem *Supply Class 2* - Netzteil!  
Use only with flash equipment driven by a power supply *Class 2*!  
A utiliser exclusivement avec un contrôleur d'impulsion connecté à une alimentation *Class 2*!

### Safety instructions

The Instruments are not to be used for safety applications, in particular applications in which safety of persons depends on proper operation of the instruments.  
These instruments shall exclusively be used by qualified personnel.



TECHNICAL INFORMATION (typ.)	+20°C
Pulse power consumption	290 W (max.)
Pulse overload factor	9,33
Pulse current capacity	20.000 mA
Design	Barlight
Illuminated area	46 x 96 mm
Characteristics	Flashable by means of flash controller
Light colour	Infrared, 850 nm
Emission angle	30°
Illumination intensity	600.000 µW/cm <sup>2</sup> (0,1 m / 1.300%) 280.000 µW/cm <sup>2</sup> (0,2 m / 1.300%) 60.000 µW/cm <sup>2</sup> (0,5 m / 1.300%) 16.000 µW/cm <sup>2</sup> (1.0 m / 1.300%)
Service voltage	No constant voltage!
Shock-/vibration load	10 ... 55 Hz / 1,0 mm / 30 g
Ambient temperature	0 ... +40 °C
Protection class	IP 67
Risk group (DIN EN 62471)	Risk group 1
Casing material	Aluminium black anodized
Material	PMMA, hardcoated (Protection optics)
Connection	cable PUR, 2.5 m, flying leads, Use only with flash equipment!
Weight	450 g