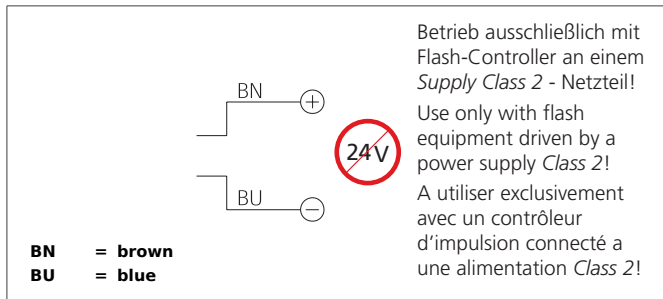


BE-A100-F1-K

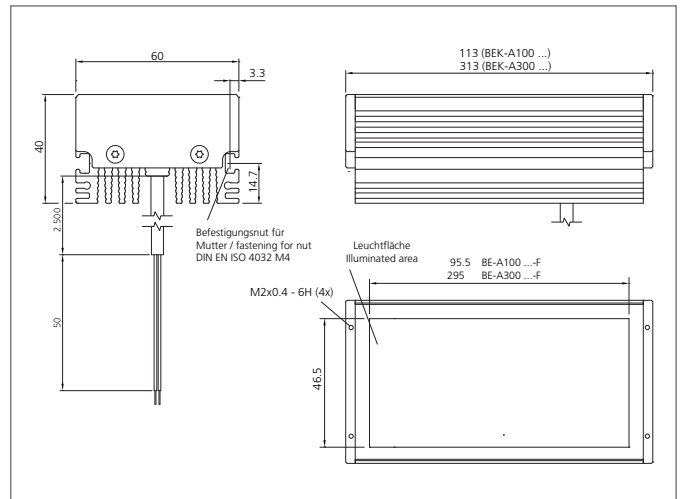
Barlight

- High excess current factor
- Flash mode operation for „frozen images“ and inspection of fast moving objects at extremely high light intensity
- Long-life thanks to intelligent thermal management
- Homogenous luminous field
- High protection class
- Robust metal casing
- Universal mounting possibility
- Scratch-proof protection window
- Crossbars and focus optics available as an option



Safety instructions

The Instruments are not to be used for safety applications, in particular applications in which safety of persons depends on proper operation of the instruments.
These instruments shall exclusively be used by qualified personnel.



TECHNICAL INFORMATION (typ.)	+20°C
Pulse power consumption	240 W (max.)
Pulse overload factor	8
Pulse current capacity	8.000 mA
Design	Barlight
Illuminated area	46 x 96 mm
Characteristics	Flashable by means of flash controller
Light colour	Red, 625 nm
Emission angle	30°
Illumination intensity	133 kLux (0,1 m / 100%) 470 kLux (0,1 m / 400%) 850 kLux (0,1 m / 800%) 69 kLux (0,2 m / 100%) 250 kLux (0,2 m / 400%) 428 kLux (0,2 m / 800%) 14 kLux (0,5 m / 100%) 52 kLux (0,5 m / 400%) 96 kLux (0,5 m / 800%) 5 kLux (1.0 m / 100%) 18 kLux (1.0 m / 400%) 28 kLux (1.0 m / 800%)
Service voltage	No constant voltage!
Shock-/vibration load	10 ... 55 Hz / 1,0 mm / 30 g
Ambient temperature	0 ... +40 °C
Protection class	IP 67
Risk group (DIN EN 62471)	Free group
Casing material	Aluminium black anodized

BE-A100-F1-K
Barlight



TECHNICAL INFORMATION (typ.)		+20°C
Material		PMMA, hardcoated (Protection optics)
Connection		cable PUR, 2.5 m, flying leads, Use only with flash equipment!
Weight		450 g