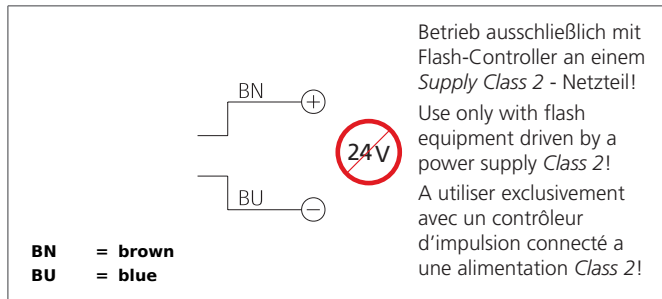


BE-A300-F1-K

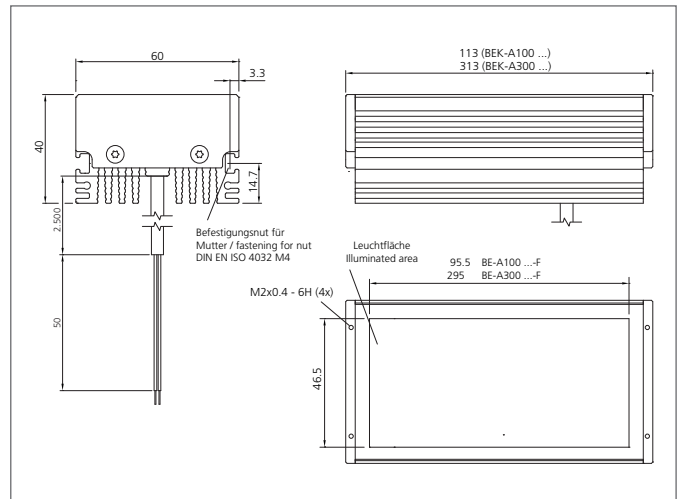
Barlight

- High excess current factor
- Flash mode operation for „frozen images“ and inspection of fast moving objects at extremely high light intensity
- Long-life thanks to intelligent thermal management
- Homogenous luminous field
- High protection class
- Robust metal casing
- Universal mounting possibility
- Scratch-proof protection window
- Crossbars and focus optics available as an option



Safety instructions

The Instruments are not to be used for safety applications, in particular applications in which safety of persons depends on proper operation of the instruments.
These instruments shall exclusively be used by qualified personnel.



TECHNICAL INFORMATION (typ.)	+20°C
Pulse power consumption	720 W (max.)
Pulse overload factor	12
Pulse current capacity	24.000 mA
Design	Barlight
Illuminated area	46 x 295 mm
Characteristics	Flashable by means of flash controller
Light colour	Red, 625 nm
Emission angle	30°
Illumination intensity	100 kLux (0,1 m / 100%) 310 kLux (0,1 m / 400%) 515 kLux (0,1 m / 800%) 62 kLux (0,2 m / 100%) 178 kLux (0,2 m / 400%) 324 kLux (0,2 m / 800%) 24 kLux (0,5 m / 100%) 66 kLux (0,5 m / 400%) 115 kLux (0,5 m / 800%) 7,5 kLux (1.0 m / 100%) 20 kLux (1.0 m / 400%) 38 kLux (1.0 m / 800%)
Service voltage	No constant voltage!
Shock-/vibration load	10 ... 55 Hz / 1,0 mm / 30 g
Ambient temperature	0 ... +40 °C
Protection class	IP 67
Risk group (DIN EN 62471)	Free group
Casing material	Aluminium black anodized

BE-A300-F1-K

Barlight



TECHNICAL INFORMATION (typ.)		+20°C
Material		PMMA, hardcoated (Protection optics)
Connection		cable PUR, 2.5 m, flying leads, Use only with flash equipment!
Weight		1.100 g