

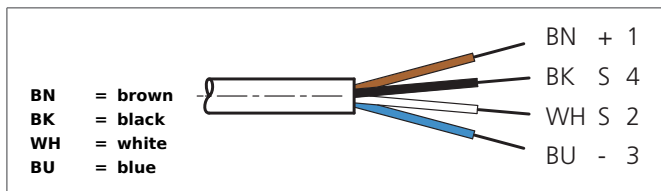
VKHM-Z-5/4-A

Connecting cable

- Sturdy metal coupling ring
- Flexible lead design
- Durable PU coating
- Good stripping properties
- Chemically steadily



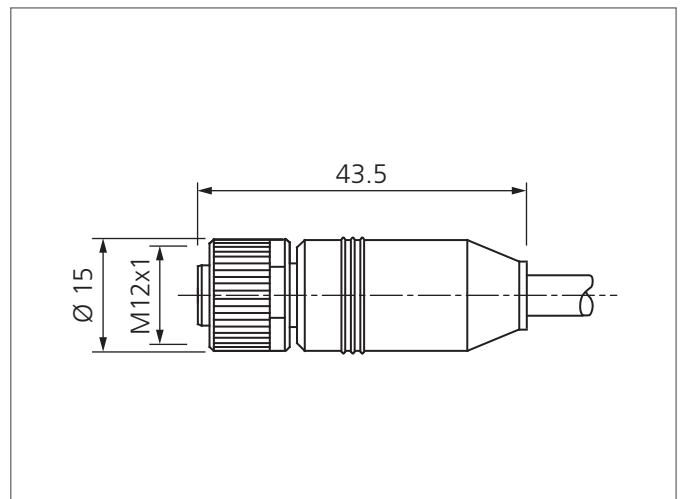
CE



Safety instructions

The Instruments are not to be used for safety applications, in particular applications in which safety of persons depends on proper operation of the instruments.

These instruments shall exclusively be used by qualified personnel.



TECHNICAL INFORMATION (typ.)	+20°C, 24V DC
Size	M12 (thread)
Design	straight
Length	5.000 mm
Characteristics	shielded, metal coupling ring
Service voltage	< 60 V AC/DC with max. 4,0 A
LED indicator	no
Ambient temperature	-40 ... +80°C (fixed), -25 ... +80°C (moved)
Protection class	IP 67, (at tightening torque 0,6 Nm)
Material	PUR (Cable) TPU (connector)
Connection	M12, 4-poled, shielded
Drag chain compatible	Yes
Drag chain properties	5 Mio. (Bending cycles) 10 x Ø (Minimum bending radius)