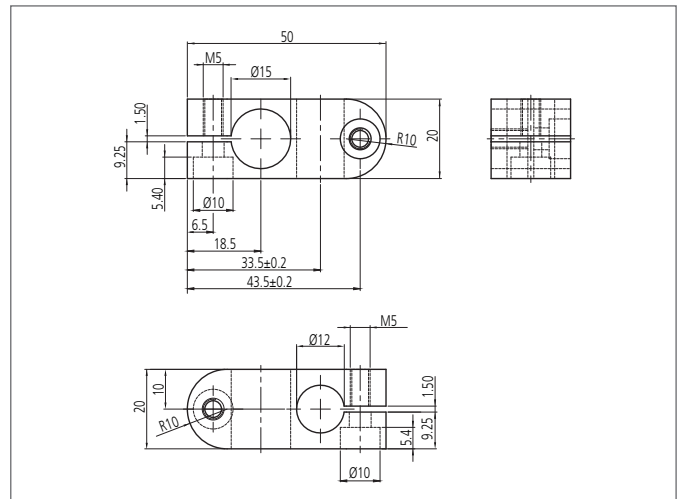
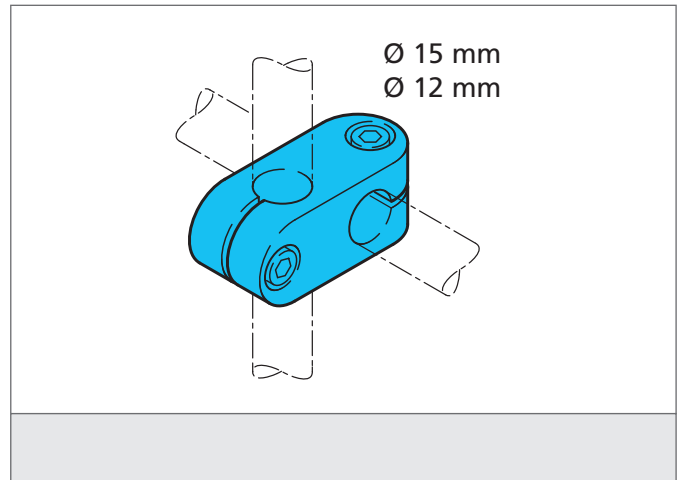


# HS-K-15-12-A

## Cross connector

- Highly flexible versatile mounting system
- All-purpose mounting
- Smooth adjustment
- Robust design



<b>TECHNICAL INFORMATION (typ.)</b>	
Dimension	+20°C, 24V DC Ø 15 / Ø 12 mm (Diameter assembly tap/drilling)
Casing material	Aluminium
Product series	System holder HS