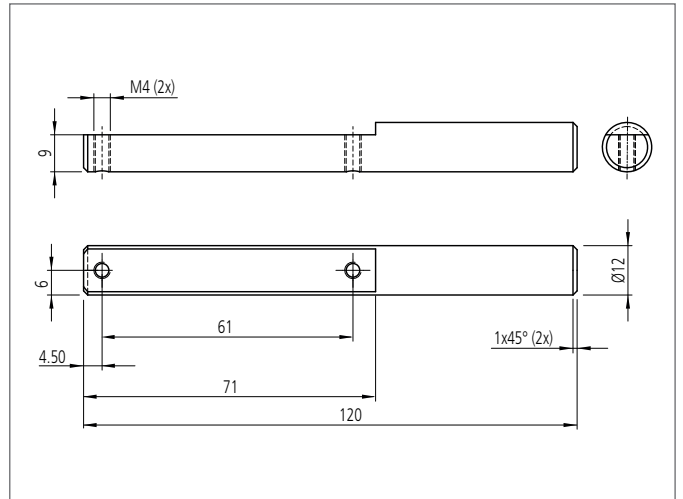
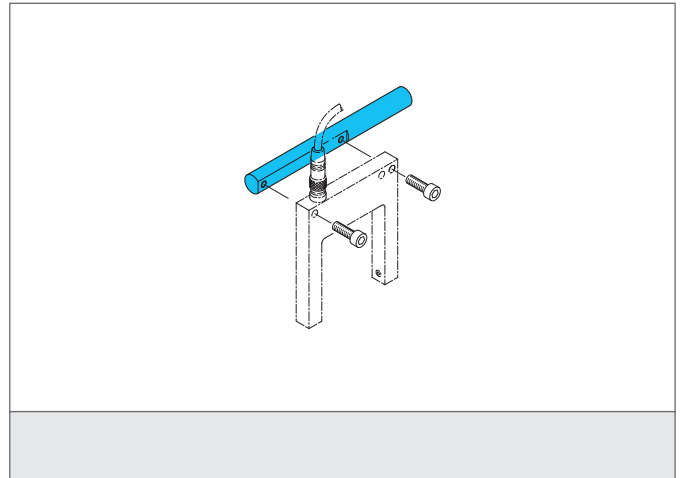


HS-PH-12-120-A

Product holder

- Highly flexible versatile mounting system
- All-purpose mounting
- Smooth adjustment
- Robust design



TECHNICAL INFORMATION (typ.)	
Dimension	+20°C, 24V DC
For	Ø 12 mm (Diameter assembly tap/drilling)
Casing material	Fork light barriers OGUxx 05x ...
Product series	Aluminium
	System holder HS

